

SKF SPEEDI-SLEEVE new generation

and wear sleeves for heavy industrial applications



Contents

The new generation concept and characteristics.....	3
Installing SKF SPEEDI-SLEEVE	6
Product tables.....	8
Metric dimensions	8
Inch dimensions	20
Wear sleeves for heavy industrial applications.....	32
Product tables.....	34
Metric dimensions	34
Inch dimensions	36
SKF – the knowledge engineering company	42

The new generation concept and characteristics

Enhanced sealing system solution

To seal effectively, radial shaft seals must run against a smooth, round counterface. If the counterface becomes worn, the seal will no longer be able to fulfil its function, which is to retain lubricant and to exclude contaminants.

Typically, the counterface becomes scored when a contaminant particle is caught under the sealing lip and abrades a track as the shaft rotates. As this continues, the seal will enable more particles to pass or get stuck eventually leading to malfunction of the component that the sealing system is meant to protect. A simple seal replacement will not be sufficient and to repair the shaft, it is usually necessary to disassemble the machine to be able to grind down the counterface until it is within speci-

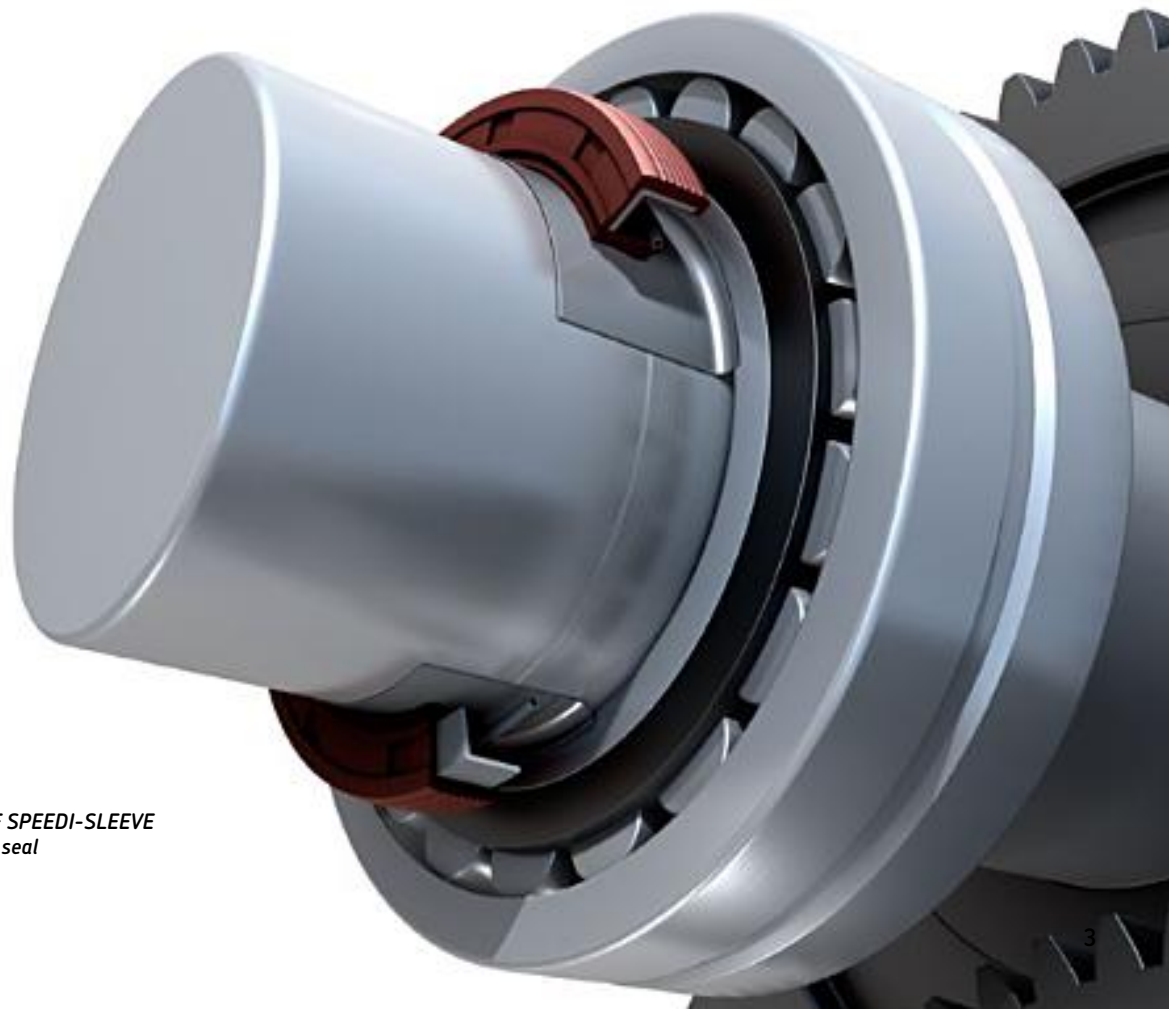
fication again. Otherwise, the sealing system will not function properly.

SKF SPEEDI-SLEEVE is a well-proven solution to overcome problems with worn shafts, without having to disassemble the shaft or specifying a new size of the replacement seal, while offering an excellent sealing surface. Now, SKF has developed a patent pending new generation SKF SPEEDI-SLEEVE with features providing an even further enhanced sealing system performance.

Features

The new generation of SKF SPEEDI-SLEEVE combines a proprietary stainless steel material and manufacturing process, resulting in an optimized seal counterface surface that

minimizes wear on both the sleeve and sealing lip. The proprietary material provides increased strength and excellent ductility properties of the sleeve. Imperceptible lubricant pockets enable the lubricant to reside on the sleeve and thereby prevent dry running of the sealing lip that otherwise can create excessive wear. The sleeves are thin-walled (0,28 mm (0.011 in.)) and the contact surface is wear resistant and manufactured to minimize directionality ($0^\circ \pm 0,05$) with a finish of R_a 0,25 to 0,5 μm (10 to 20 $\mu\text{in.}$). This is, in fact, a better counterface than can often be achieved on a shaft.



The optimized sealing system: SKF SPEEDI-SLEEVE new generation + SKF radial shaft seal

Removable flange

SKF SPEEDI-SLEEVE has a removable flange to simplify installation (→ **fig. 1**). The flange can most often be left intact, but in applications where the flange will interfere with other system components, it should be removed so it does not cause friction heat and wear debris. The flange should also be removed in applications where it may reduce the supply of lubricant to the seal. This would cause a reduced cooling effect of the lubricant, resulting in elevated underlip temperature and premature ageing of the seal material.

If the flange is to be removed, it should be cut from the outside diameter into the radius in one location prior to installation. The flange can then be twisted and raised up after installation and grasped with a pair of pliers and twisted into a coil.

SKF SPEEDI-SLEEVE Gold

The new generation of SKF SPEEDI-SLEEVE is also available in the Gold version, designed for highly abrasive applications. A thin, metallic coating applied to the base stainless steel imparts a gold colour and significantly increases durability. SKF SPEEDI-SLEEVE Gold is particularly effective in environments where there are abrasive contaminants, especially when combined with a seal manufactured from the SKF fluoro rubber material SKF Duralife¹⁾. This sealing system solution lasted 2 500 hours in a contamination test.

The installation procedure is common to both SKF SPEEDI-SLEEVE designs and the original seal size can still be used.

All sleeves listed in the product tables starting on page 8 can be manufactured as SKF SPEEDI-SLEEVE Gold.

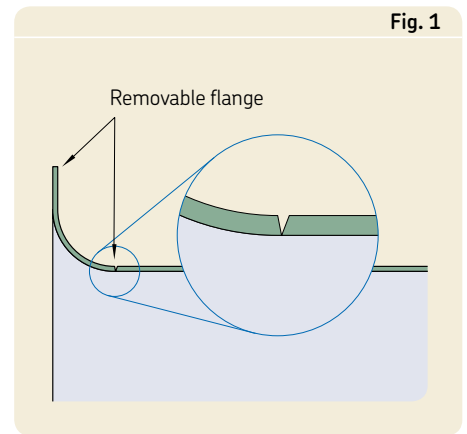
Size range

The standard size range covers sleeves for shaft diameters from 11,99 to 203,33 mm (0.472 to 8 in.). Depending on production quantities, non-standard sizes can be manufactured. For additional information, contact SKF. Each sleeve is designed to fit a specific shaft range, usually above and below the nominal shaft diameter. This permits some flexibility to accommodate variations in the actual shaft diameter.

Selecting the sleeve size

To determine the appropriate sleeve size, it is first necessary to clean the shaft carefully. The diameter of an undamaged section of the seal counterface should then be measured on at least three different planes. The arithmetical mean of these measurements determines the size of SKF SPEEDI-SLEEVE. If the value lies within the permissible range listed in the product table for the shaft diameter d_1 , the selected SKF SPEEDI-SLEEVE will have an adequate tight fit on the shaft and will not require an adhesive.

Fig. 1



SKF SPEEDI-SLEEVE removable flange



SKF SPEEDI-SLEEVE new generation, Gold version



The standard size range covers sleeves for shaft diameters from 11,99 to 203,33 mm (0.472 to 8 in.).

¹⁾ Previously named *Longlife*

Test results

The previous and new generation of SKF SPEEDI-SLEEVE products were tested for abrasion resistance under both coarse and fine dust conditions. A 500 hour contamination test (→ **diagram 1**) showed that when compared to the previous generation sleeve, the new generation SKF SPEEDI-SLEEVE reduced abrasion by a factor of 1,5 and was still operating efficiently.

To test sealing system effectiveness, a 2 000 hour life test was performed (→ **diagram 2**) using SKF SPEEDI-SLEEVE new and previous generation products and SKF WAVE seals made from the SKF fluoro rubber material SKF Duralife. The test results showed that SKF SPEEDI-SLEEVE new generation reduced the sealing lip wear and the variation in the wear rate by approximately 30% compared to the previous generation sleeve and outperformed a chromium-plated surface by a factor of 2. This reduction improves the sealing system reliability as well as the predictability of the system service life.

Both tests were carried out under the same operating conditions:

- temperatures up to 110 °C (225 °F)
- linear shaft speeds of up to 8,6 m/s (1 700 ft/min)

In other tests, it was found that continuous salt spray at 35 °C (95 °F) produced no trace of corrosion even after 600 hours. This optimized performance is made possible through the use of the new generation of SKF SPEEDI-SLEEVE.

Diagram 1

SKF SPEEDI-SLEEVE wear test
Abrasive media, test stopped at 500 hours

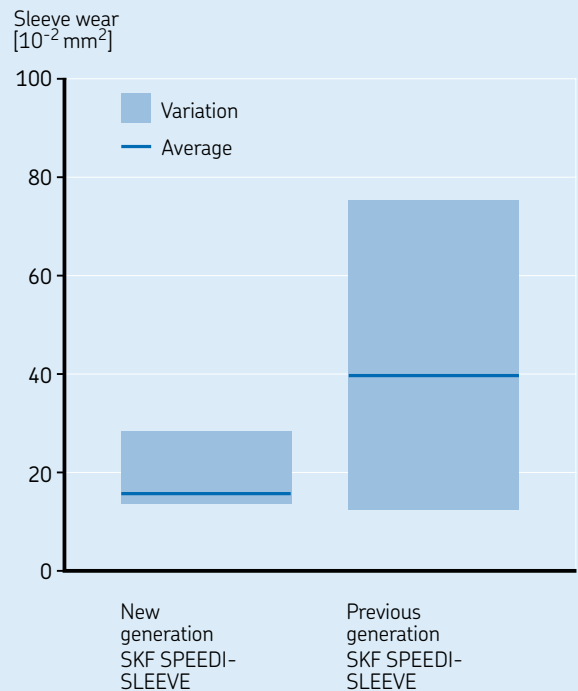
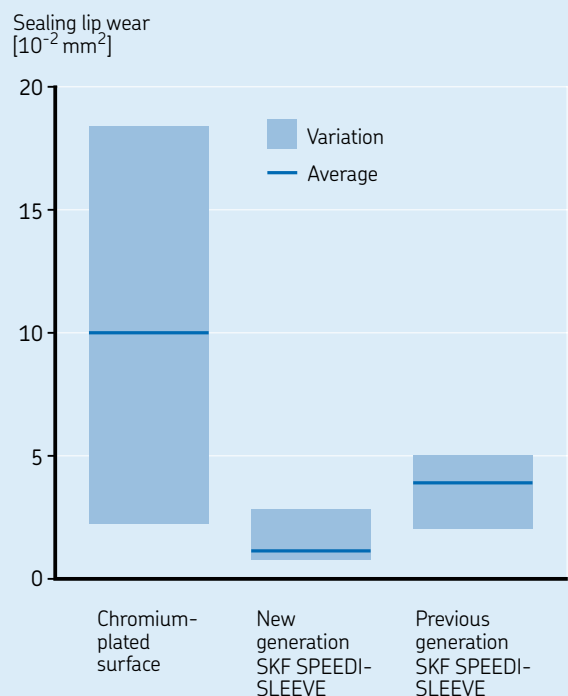


Diagram 2

Sealing lip wear test
Seals made from fluoro rubber, test stopped at 2 000 hours



Installing SKF SPEEDI-SLEEVE

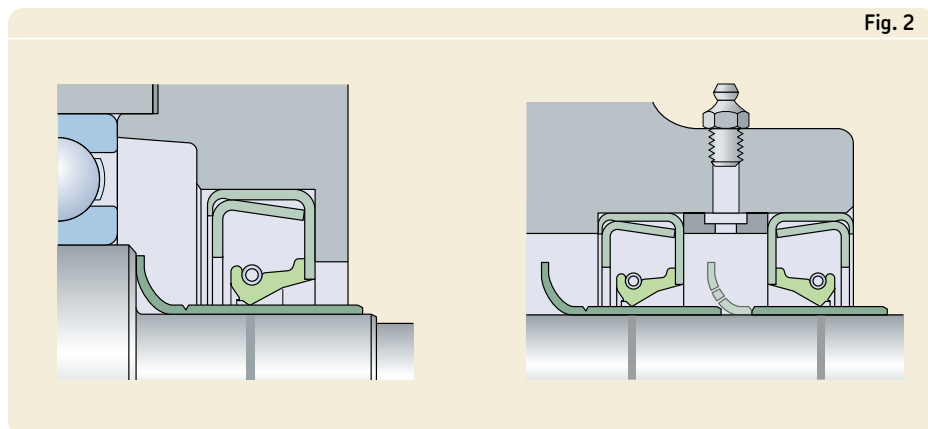
A new seal counterface in a few minutes

Although installation is simple, it should be done carefully to achieve the best results. As the thin-walled sleeve has an interference fit, any disturbances on the shaft surface may create a similar pattern on the sleeve surface and cause the seal to leak. Therefore, the seal counterface surface of the shaft should be carefully cleaned and any burrs or rough spots filed down prior to installation. Deep wear grooves, scratches or very rough surfaces should be treated with a suitable powdered metal epoxy-type filler. The sleeve must be positioned on the shaft before the filler has hardened.

SKF SPEEDI-SLEEVE must not be installed over keyways, cross holes, splines or threads since this will result in deformation of the sleeve, making it difficult for the seal to follow its new counterface surface as it rotates.

SKF SPEEDI-SLEEVE should never be heated prior to installation. Using heat will cause the sleeve to expand, but when it cools, it may not contract back to its original size, resulting in a loose fit on the shaft. See **fig. 2** for different SKF SPEEDI-SLEEVE installations.

SKF SPEEDI-SLEEVE installations



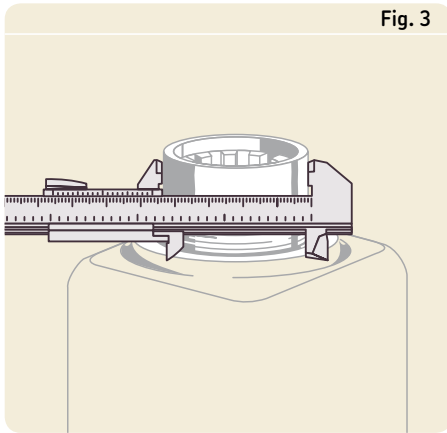


Fig. 3

Clean and measure the diameter of the worn shaft and mark the area where the sleeve will cover the scored portion of the shaft.

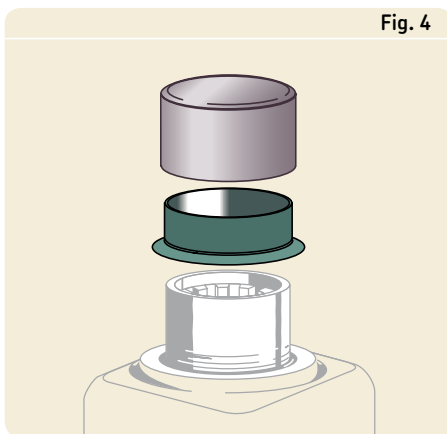


Fig. 4

Place SKF SPEEDI-SLEEVE on the shaft and then place the special installation tool over the sleeve.

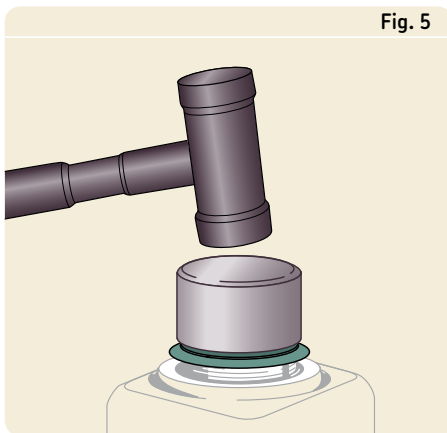


Fig. 5

Tap the installation tool with a mallet until the sleeve is seated on the shaft over the marked area. Remove the installation tool.

Installation procedure

- 1 Clean the seal counterface surface on the shaft. File down any burrs or rough spots and make sure that the sleeve will not be installed over keyways, cross holes, splines or similar.
- 2 Measure the diameter on an unworn portion of the shaft where the sleeve will be positioned (→ fig. 3). Measure in three positions and average the readings to make sure the shaft is within recommended specifications. If the average diameter is within the range for a given sleeve size, there is sufficient press fit built into the sleeve to prevent it from sliding or spinning without using an adhesive.
- 3 Determine where the sleeve must be positioned to cover the worn area. Measure to the exact point, or mark directly on the surface. The sleeve must be placed over the worn area, not just bottomed or left flush with the end of the shaft.
- 4 Shallow wear grooves do not require filling. Optionally, a light layer of a non-hardening sealant can be applied to the inside diameter surface of the sleeve. Clean away sealant that migrates to the shaft or sleeve outside diameter surface.
- 5 If the shaft is deeply scored, fill the groove with a powdered metal epoxy-type filler. Install the sleeve before the filler hardens, enabling the sleeve to wipe off any excess filler. Clean away any remaining filler from the sleeve outside diameter surface.
- 6 It should be repeated that heat should never be used to install SKF SPEEDI-SLEEVE.
- 7 If the flange should be removed after installation, cut it from the outside diameter into the radius in one location. The flange end of the sleeve goes on the shaft first. Then, place the installation tool over the sleeve (→ fig. 4).
- 8 Gently tap the centre of the installation tool until the sleeve covers the worn shaft surface (→ fig. 5). If the installation tool is too short, a length of pipe or tubing with a squared-off, burr-free end can be used. Be sure that the inside diameter of the pipe is the same as that of the installation tool. Use care not to scratch the precision ground sleeve's outside diameter.
- 9 SKF SPEEDI-SLEEVE should always be installed so that the outside edge of the sleeve is seated on the full shaft diameter. It must not rest in or outside the chamfer area since the sharp edge will likely cut the sealing lip during seal installation.

- 10 If the flange was cut for removal, use a pair of long-nosed pliers to grasp the flange away from the sleeve and twist it into a coil, being careful not to lift the end of the sleeve off the shaft or it will leave a jagged edge. Flange removal must be done with care to avoid damage to the outside diameter of the sleeve.
- 11 After the sleeve is installed, check again for burrs that could damage the seal.
- 12 Lubricate the sleeve with the system medium before installing the seal.
- 13 Proceed with seal installation.

Removal

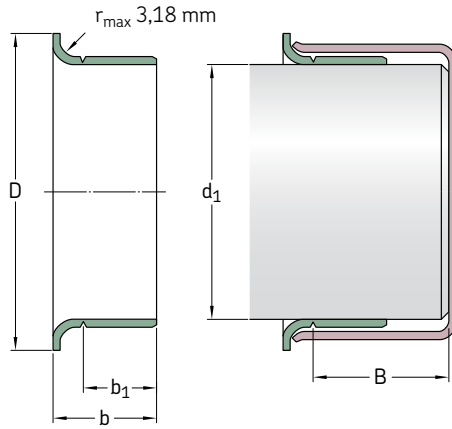
SKF SPEEDI-SLEEVE can be removed by applying heat to the sleeve with an electric heat blower, which will expand it enough to let it slide off the shaft without causing any damage to the shaft. Alternatively, the sleeve can be removed in any of the following ways, always using care not to damage the shaft surface:

- by relieving the press-fit tension using a small hammer to peen across the full width of the sleeve
- by using a cold chisel to cut through the sleeve
- by using a pair of wire cutters starting at or near the flange and applying a twisting motion

Please note that SKF SPEEDI-SLEEVE cannot be reused.

SKF SPEEDI-SLEEVE – metric dimensions (converted from inch dimensions)

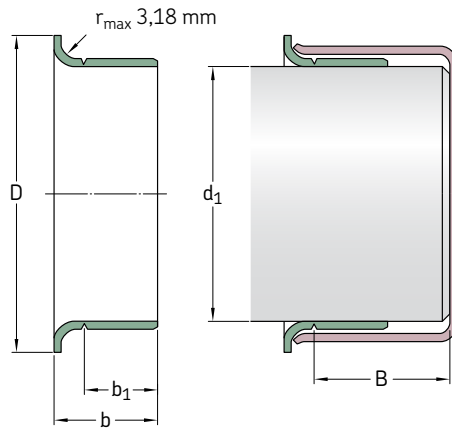
d_1 11,99 – 34,01 mm



Shaft diameter range		Nominal dimensions					Designation
d_1 min	max	d_1	D $\pm 1,6$	b_1 $\pm 0,8$	b $\pm 0,8$	$B^{1)}$	
mm		mm					–
11,99	12,07	11,99	15,49	5,99	8,41	47,63	99049
12,65	12,75	12,70	15,49	6,35	8,74	50,80	99050
13,89	14,00	14,00	19,05	6,35	9,93	46,51	99055
14,22	14,38	14,30	19,05	6,35	9,93	46,51	99056
14,96	15,06	15,01	19,05	5,00	8,99	47,29	99059
15,82	15,93	15,88	19,05	7,95	10,31	50,80	99810 ²⁾
		15,88	19,05	7,95	10,31	50,80	99062
15,90	16,00	16,00	18,24	7,95	11,13	50,80	99058
16,94	17,04	16,99	22,23	8,00	11,00	50,80	99068
17,32	17,42	17,37	22,86	7,95	11,13	50,80	99060
17,88	18,01	18,01	24,43	8,00	11,00	46,00	99082
19,00	19,10	19,05	24,00	7,95	11,13	50,80	99811 ²⁾
		19,05	24,00	7,95	11,13	50,80	99076
19,28	19,33	19,30	23,83	7,95	11,13	50,80	99081
19,81	19,91	19,84	23,75	7,95	11,13	50,80	99080
19,94	20,04	19,99	23,62	8,00	11,00	50,80	99078
20,62	20,70	20,65	30,18	9,53	14,30	76,20	99083
21,77	21,87	21,82	29,34	6,35	9,53	50,80	99086
21,87	22,00	22,00	30,18	6,58	9,12	47,14	99084
		22,00	30,18	8,00	11,99	46,02	99085
22,17	22,28	22,23	27,79	7,95	11,13	50,80	99812 ²⁾
		22,23	27,79	7,95	11,13	50,80	99087
23,06	23,16	23,11	30,94	7,95	11,13	46,91	99860 ²⁾
		23,11	30,94	7,95	11,13	46,91	99091
23,88	24,00	24,00	28,70	7,95	11,13	50,80	99092
24,54	24,64	24,61	28,70	7,95	11,13	50,80	99094
		24,61	28,70	15,88	18,26	50,80	99096

¹⁾ Possible max. distance of the rear groove from the shaft end when the installation tool supplied with the sleeve is used

²⁾ SKF SPEEDI-SLEEVE Gold



Shaft diameter range		Nominal dimensions					Designation
d_1 min	max	d_1	D $\pm 1,6$	b_1 $\pm 0,8$	b $\pm 0,8$	$B^{1)}$	
mm		mm					–
24,94	25,04	24,99	33,02	7,95	11,00	50,80	99813 ²⁾
		24,99	33,02	7,95	11,00	50,80	99098
25,35	25,45	25,40	30,96	7,95	11,13	50,80	99814 ²⁾
		25,40	30,96	7,95	11,13	50,80	99868 ³⁾
25,88	26,01	26,01	33,35	8,00	11,99	46,05	99103
26,92	27,03	27,00	33,53	7,95	11,13	46,81	99815 ²⁾
		27,00	33,53	7,95	11,13	46,81	99106
27,61	27,71	27,66	35,71	7,95	11,13	15,88	99108
27,94	28,04	27,99	34,93	9,53	12,70	46,81	99866 ²⁾
		27,99	34,93	9,53	12,70	46,81	99111
28,52	28,63	28,58	38,10	7,95	11,13	17,48	99816 ²⁾
		28,58	38,10	7,95	11,13	17,48	99112
		28,58	38,10	9,53	12,70	17,48	99116
29,31	29,41	29,36	34,29	9,53	12,70	17,48	99865 ²⁾
		29,36	34,29	9,53	12,70	17,48	99120
29,79	29,92	29,85	35,56	7,95	11,13	17,48	99122
29,95	30,07	30,00	35,56	8,00	11,00	17,48	99114
30,10	30,23	30,18	35,56	7,95	11,13	17,48	99118
30,89	31,04	30,96	39,70	7,95	11,00	15,88	99123
31,42	31,57	31,50	39,12	8,00	11,13	17,48	99141
31,67	31,83	31,75	38,10	7,95	11,13	17,48	99817 ²⁾
		31,75	38,10	7,95	11,13	17,48	99125
31,93	32,08	32,00	38,10	8,00	11,13	17,48	99128
32,94	33,05	32,99	40,49	15,01	18,01	25,40	99121
33,22	33,38	33,35	40,64	6,35	9,53	20,65	99129
33,27	33,43	33,35	40,49	12,70	15,88	20,65	99818 ²⁾
		33,35	40,49	12,70	15,88	20,65	99131
33,86	34,01	34,01	41,28	12,70	15,88	20,65	99134

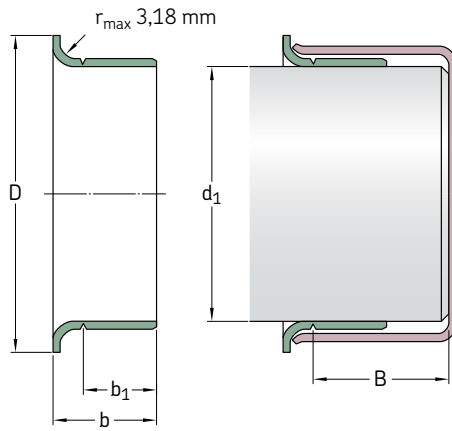
¹⁾ Possible max. distance of the rear groove from the shaft end when the installation tool supplied with the sleeve is used

²⁾ SKF SPEEDI-SLEEVE Gold

³⁾ Previously 99100

SKF SPEEDI-SLEEVE – metric dimensions (converted from inch dimensions)

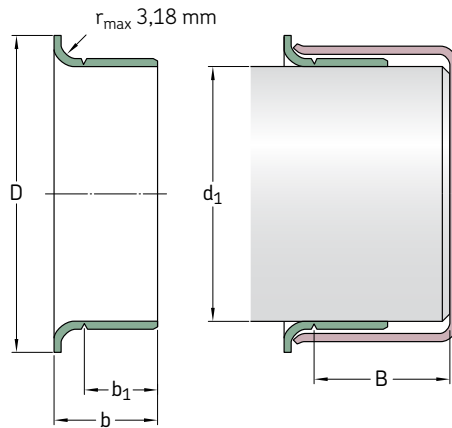
d₁ 34,82 – 49,28 mm



Shaft diameter range		Nominal dimensions					Designation
d ₁ min	max	d ₁	D ±1,6	b ₁ ±0,8	b ±0,8	B ¹⁾	
mm		mm					–
34,82	34,98	34,93	41,61	7,95	11,13	20,65	99133
		34,93	41,61	12,70	15,88	20,65	99819 ²⁾
		34,93	41,61	12,70	15,88	20,65	99138
34,93	35,08	34,93	41,61	13,00	16,00	20,65	99820 ²⁾
		34,93	41,61	13,00	16,00	20,65	99139
35,84	35,99	35,99	45,24	13,00	16,99	24,99	99146
36,37	36,53	36,53	45,24	14,30	17,48	25,81	99821 ²⁾
		36,53	45,24	14,30	17,48	25,81	99143
36,45	36,60	36,53	45,24	9,53	12,70	25,81	99144
37,85	38,00	38,00	45,24	13,00	16,99	24,99	99147
38,02	38,18	38,10	45,24	9,53	12,70	25,81	99823 ²⁾
		38,10	45,24	9,53	12,70	25,81	99150
		38,10	45,24	14,30	17,48	25,81	99822 ²⁾
		38,10	45,24	14,30	17,48	25,81	99149
38,61	38,76	38,68	47,22	11,13	14,30	25,81	99152
39,34	39,50	39,42	47,22	11,13	14,30	25,81	99155
39,60	39,75	39,67	47,22	14,30	17,48	25,81	99824 ²⁾
		39,67	47,22	14,30	17,48	25,81	99156
39,78	39,93	39,85	47,22	15,88	19,05	25,81	99159
39,85	40,01	40,01	46,99	9,91	12,93	25,40	99153
39,93	40,08	40,08	46,99	13,00	16,00	25,98	99825 ²⁾
		40,08	46,99	13,00	16,00	25,98	99157
40,69	40,84	40,77	49,23	12,70	16,28	25,40	99160
40,84	41,00	41,00	49,23	12,70	15,88	25,81	99163
41,20	41,35	41,28	47,63	7,95	11,13	25,81	99161
		41,28	47,63	14,30	17,48	20,65	99826 ²⁾
		41,28	47,63	14,30	17,48	20,65	99162
41,83	42,01	41,91	53,01	11,30	14,50	21,49	99166
		41,91	53,01	14,30	17,50	21,01	99169
		42,01	53,01	14,30	17,50	21,01	99873 ²⁾

¹⁾ Possible max. distance of the rear groove from the shaft end when the installation tool supplied with the sleeve is used

²⁾ SKF SPEEDI-SLEEVE Gold



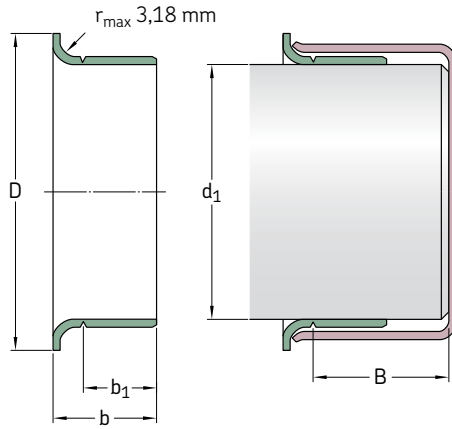
Shaft diameter range		Nominal dimensions					Designation
d_1 min	max	d_1	D $\pm 1,6$	b_1 $\pm 0,8$	b $\pm 0,8$	$B^{1)}$	
mm		mm					–
41,99	42,14	42,06	53,01	13,97	17,50	21,01	99165
42,77	42,93	42,88	48,41	14,30	17,48	22,23	99168
42,80	42,95	42,88	48,41	7,95	11,13	22,23	99167
42,85	43,00	43,00	48,41	12,70	15,88	21,44	99182
43,56	43,71	43,66	51,59	14,30	17,48	20,65	99171
44,09	44,25	44,17	52,40	9,53	12,70	20,65	99170
44,37	44,53	44,45	52,20	9,53	12,70	20,65	99172
		44,45	52,40	13,49	15,88	22,30	99180
		44,45	52,40	14,30	17,48	20,65	99827²⁾
		44,45	52,40	14,30	17,48	20,65	99174
		44,45	52,40	19,05	22,23	20,65	99828²⁾
		44,45	52,40	19,05	22,23	20,65	99175
44,73	44,88	44,86	52,40	14,30	17,48	20,65	99829²⁾
		44,86	52,40	14,30	17,48	20,65	99176
44,93	45,09	45,01	53,01	14,00	16,99	20,62	99830²⁾
		45,01	53,01	14,00	16,99	20,62	99177
45,16	45,31	45,24	53,98	16,94	20,32	26,97	99179
45,95	46,10	46,05	53,09	14,30	17,48	25,40	99831²⁾
		46,05	53,09	14,30	17,48	25,40	99181
47,17	47,32	47,22	54,76	14,30	17,48	25,40	99185
47,40	47,55	47,45	55,58	22,58	26,04	25,40	99186
47,55	47,70	47,63	55,96	4,45	7,49	18,90	99190
		47,63	55,96	7,49	10,54	18,90	99188
		47,63	55,96	9,53	13,11	26,67	99184
		47,63	55,96	14,30	17,48	25,40	99832²⁾
		47,63	55,96	14,30	17,48	25,40	99187
47,93	48,08	48,03	56,01	14,00	16,97	24,99	99189
48,49	48,64	48,56	56,36	9,53	12,70	25,40	99192
49,12	49,28	49,23	56,36	14,30	17,48	25,40	99833²⁾
		49,23	56,36	14,30	17,48	25,40	99193

¹⁾ Possible max. distance of the rear groove from the shaft end when the installation tool supplied with the sleeve is used

²⁾ SKF SPEEDI-SLEEVE Gold

SKF SPEEDI-SLEEVE – metric dimensions (converted from inch dimensions)

d₁ 49,91 – 69,93 mm

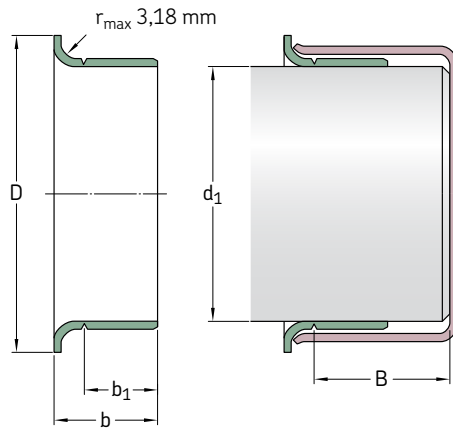


Shaft diameter range		Nominal dimensions					Designation
d ₁ min	max	d ₁	D ±1,6	b ₁ ±0,8	b ±0,8	B ¹⁾	
mm		mm					–
49,91	50,06	50,01	56,49	14,00	16,97	34,29	99052
		50,01	57,00	14,00	16,97	24,99	99196
50,22	50,37	50,29	58,75	14,30	17,88	26,67	99198
50,72	50,88	50,80	61,11	14,30	17,48	25,55	99834²⁾
		50,80	61,11	14,30	17,48	25,40	99199
		50,80	61,11	22,23	25,40	25,40	99835²⁾
		50,80	61,11	22,23	25,40	25,40	99200
51,82	51,99	51,99	62,71	12,70	15,88	34,52	99878³⁾
52,25	52,40	52,40	62,71	19,84	23,83	34,93	99205
53,92	54,05	53,98	61,52	12,70	19,05	32,54	99210
53,95	54,10	53,98	61,52	19,84	23,83	34,93	99836²⁾
		53,98	61,52	19,84	23,83	34,93	99212
54,91	55,07	54,99	62,00	19,99	22,99	31,75	99863²⁾
		54,99	62,00	19,99	22,99	31,75	99215
55,52	55,68	55,58	63,50	19,84	23,83	33,35	99218
55,83	56,01	56,01	64,29	12,70	15,88	33,35	99220
		56,01	64,29	19,79	23,77	80,01	99224
56,57	56,72	56,64	64,29	12,70	15,88	33,35	99861²⁾
		56,64	64,29	12,70	15,88	33,35	99229
		56,64	64,29	19,84	23,01	31,75	99230
56,82	56,97	56,90	65,10	19,41	22,86	31,75	99226
57,12	57,28	57,15	64,29	7,95	11,13	33,35	99838²⁾
		57,15	64,29	7,95	11,13	33,35	99227
		57,15	64,29	19,84	23,83	33,35	99837²⁾
		57,15	64,29	19,84	23,83	33,35	99225
57,91	58,06	57,99	65,99	19,99	23,83	34,93	99219
58,65	58,80	58,75	68,28	19,84	23,83	34,93	99231
59,11	59,26	59,13	69,85	19,05	22,23	38,10	99233
59,92	60,07	59,99	70,74	9,40	11,43	37,36	99241
		59,99	70,74	19,99	22,99	34,93	99869²⁾
		59,99	70,74	19,99	22,99	34,93	99235

¹⁾ Possible max. distance of the rear groove from the shaft end when the installation tool supplied with the sleeve is used

²⁾ SKF SPEEDI-SLEEVE Gold

³⁾ Previously 99204



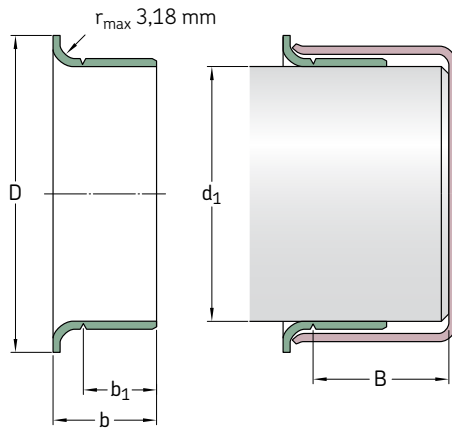
Shaft diameter range		Nominal dimensions					Designation
d_1 min	max	d_1	D $\pm 1,6$	b_1 $\pm 0,8$	b $\pm 0,8$	$B^{1)}$	
mm		mm					–
60,25	60,40	60,33	69,85	15,09	19,05	34,93	99238
60,30	60,45	60,33	69,85	13,36	17,35	34,93	99240
		60,33	69,85	19,84	23,83	34,93	99839 ²⁾
		60,33	69,85	19,84	23,83	34,93	99237
61,82	62,00	61,93	71,83	19,84	23,83	35,38	99243
		62,00	71,83	12,70	15,88	36,20	99244
61,85	62,00	61,93	71,83	12,70	15,88	36,20	99242
63,22	63,37	63,30	73,03	19,84	23,83	35,38	99249
		63,42	63,58	63,50	71,63	14,10	16,51
63,50	63,65	63,50	71,83	12,70	16,66	35,38	99248
		63,50	71,63	19,84	23,83	34,93	99840 ²⁾
		63,50	71,63	19,84	23,83	34,93	99250
63,75	63,91	63,91	71,83	19,84	23,01	36,53	99251
64,92	65,07	65,00	72,39	19,99	22,99	34,93	99841 ²⁾
		65,00	72,39	19,99	22,99	34,93	99254
65,02	65,18	65,10	73,43	19,84	23,83	34,93	99256
65,91	66,07	65,99	75,95	19,84	23,83	31,75	99259
66,50	66,65	66,57	77,39	19,84	23,83	34,93	99261
66,57	66,73	66,68	77,39	19,84	23,01	34,93	99264
66,60	66,75	66,68	77,39	12,70	15,88	34,93	99260
		66,68	77,39	19,84	23,83	34,93	99842 ²⁾
66,68	66,83	66,68	77,39	19,84	23,83	34,93	99262
67,82	68,00	68,00	79,38	19,05	22,23	42,88	99266
69,27	69,42	69,34	79,38	19,84	23,01	33,35	99268
69,60	69,75	69,67	77,85	19,84	23,83	31,75	99273
69,72	69,88	69,85	79,38	19,84	23,83	31,75	99843 ²⁾
		69,85	79,38	19,84	23,83	31,75	99274
69,77	69,93	69,85	78,11	36,53	41,28	41,28	99267

¹⁾ Possible max. distance of the rear groove from the shaft end when the installation tool supplied with the sleeve is used

²⁾ SKF SPEEDI-SLEEVE Gold

SKF SPEEDI-SLEEVE – metric dimensions (converted from inch dimensions)

d_1 69,85 – 90,58 mm

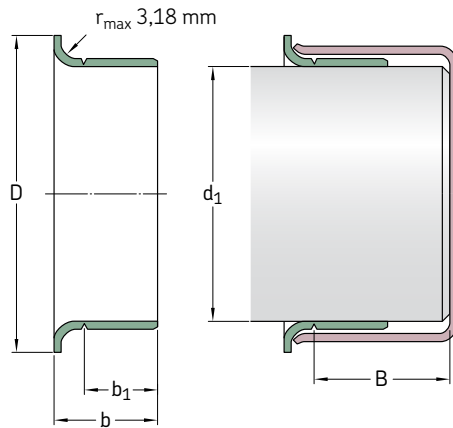


Shaft diameter range		Nominal dimensions					Designation
d_1 min	max	d_1	D $\pm 1,6$	b_1 $\pm 0,8$	b $\pm 0,8$	$B^{1)}$	
mm		mm					–
69,85	70,00	69,85	79,38	10,31	14,30	31,75	99272
		69,85	79,38	19,84	23,83	31,75	99844 ²⁾
		69,85	79,38	19,84	23,83	31,75	99275
		69,85	79,38	28,58	31,75	33,32	99269
69,93	70,08	70,00	79,38	19,99	24,00	31,75	99276
71,35	71,50	71,45	80,98	15,09	17,48	31,75	99281
71,83	72,01	72,01	81,92	19,05	22,23	34,11	99870 ²⁾
		72,01	81,92	19,05	22,23	34,11	99284
72,09	72,24	72,09	81,92	12,70	16,66	31,75	99845 ²⁾
		72,09	81,92	12,70	16,66	31,75	99282
72,80	72,95	72,87	80,98	19,84	23,83	31,75	99286
72,97	73,13	73,03	81,76	19,84	23,83	31,75	99846 ²⁾
		73,03	81,76	19,84	23,83	31,75	99287
74,60	74,75	74,63	84,94	12,70	16,28	33,81	99290
		74,63	84,94	19,84	23,83	33,35	99847 ²⁾
		74,68	84,94	19,84	23,83	33,35	99293
74,93	75,08	75,01	83,13	15,09	17,53	27,51	99289
		75,01	83,95	22,00	26,01	33,35	99875 ²⁾
		75,01	83,95	22,00	26,01	33,35	99294
75,49	75,59	75,54	82,17	20,65	25,40	31,75	99292
75,95	76,10	76,02	85,32	12,29	15,88	33,81	99291
		76,02	85,32	14,30	17,48	34,93	99298
		76,02	85,09	20,65	25,40	32,54	99299
76,12	76,28	76,20	82,30	20,65	23,83	34,93	99296
76,20	76,35	76,20	84,96	15,88	20,65	32,51	99048 ³⁾
		76,20	82,17	20,65	25,40	32,54	99848 ²⁾
		76,20	82,17	20,65	25,40	32,54	99300
76,40	76,56	76,48	85,22	12,70	15,88	50,80	99301
77,83	78,00	78,00	88,09	19,05	22,23	52,22	99306
79,25	79,40	79,38	89,69	17,48	20,65	50,80	99311
		79,38	89,69	20,65	25,40	50,80	99849 ²⁾
		79,38	89,69	20,65	25,40	50,80	99312

¹⁾ Possible max. distance of the rear groove from the shaft end when the installation tool supplied with the sleeve is used

²⁾ SKF SPEEDI-SLEEVE Gold

³⁾ Previously 99303



Shaft diameter range		Nominal dimensions					Designation
d_1 min	max	d_1	D $\pm 1,6$	b_1 $\pm 0,8$	b $\pm 0,8$	$B^{1)}$	
mm		mm					–
79,35	79,55	79,38	89,54	14,00	18,01	51,59	99053³⁾
79,81	80,01	80,01	89,92	19,05	22,50	34,93	99313
79,91	80,09	80,01	89,99	11,00	15,01	34,93	99317
		80,01	89,99	21,01	24,00	34,93	99315
81,92	82,07	81,99	91,06	16,76	21,54	44,45	99328
82,47	82,63	82,55	91,29	20,65	25,40	34,93	99322
82,55	82,70	82,55	90,81	15,11	18,26	34,93	99850²⁾
		82,55	90,81	15,11	18,26	34,93	99324
		82,55	91,06	17,48	22,23	31,75	99326
		82,55	91,06	20,65	25,40	34,93	99851²⁾
		82,55	91,06	20,65	25,40	34,93	99325
84,00	84,15	84,07	93,68	20,65	25,40	34,93	99331
84,76	85,01	84,89	93,98	16,99	21,01	35,00	99332
		84,89	93,98	21,01	24,99	35,00	99872²⁾
		84,89	93,98	21,01	24,99	35,00	99333
84,79	85,01	85,01	90,93	10,13	12,67	36,35	99334
85,67	85,83	85,73	93,68	9,53	12,70	35,81	99338
		85,73	93,85	20,65	25,40	34,93	99337
87,25	87,40	87,33	97,64	19,84	23,01	35,71	99339
87,80	88,00	88,00	95,28	29,21	34,27	42,50	99481
88,32	88,47	88,39	97,41	19,84	23,01	35,71	99340
88,82	88,98	88,90	97,64	15,88	20,65	34,21	99346
88,90	89,05	88,90	97,16	7,95	12,70	34,21	99347
		88,90	97,64	20,65	25,40	34,21	99852²⁾
		88,90	97,64	20,65	25,40	34,21	99350
88,93	89,08	89,00	97,64	15,88	20,65	34,24	99349
89,92	90,07	89,99	101,60	11,13	13,67	46,05	99352
		89,99	101,60	13,36	16,94	44,45	99353
		89,99	101,60	18,03	23,01	46,05	99351
		89,99	101,60	23,01	27,99	44,45	99354
90,42	90,58	90,50	99,06	20,65	25,40	44,45	99356

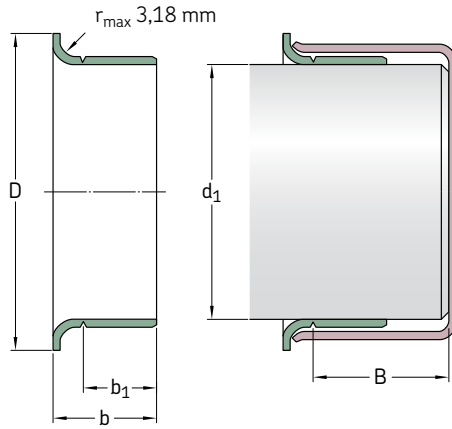
¹⁾ Possible max. distance of the rear groove from the shaft end when the installation tool supplied with the sleeve is used

²⁾ SKF SPEEDI-SLEEVE Gold

³⁾ Previously 99307

SKF SPEEDI-SLEEVE – metric dimensions (converted from inch dimensions)

d₁ 91,90 – 130,18 mm

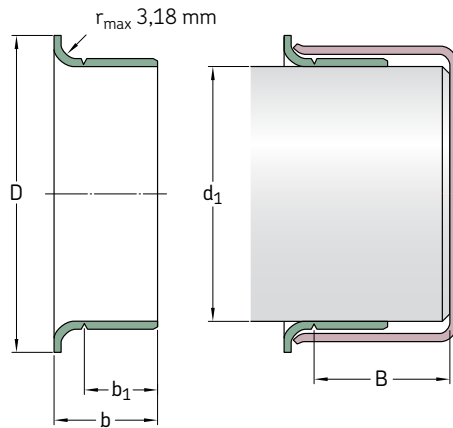


Shaft diameter range		Nominal dimensions					Designation
d ₁ min	max	d ₁	D ±1,6	b ₁ ±0,8	b ±0,8	B ¹⁾	
mm		mm					–
91,90	92,05	91,97	102,39	20,65	25,40	44,45	99360
92,02	92,18	92,08	102,24	12,70	15,88	44,45	99363
		92,08	102,39	20,65	25,40	44,45	99362
93,57	93,73	93,68	102,39	7,95	11,13	22,23	99368
93,60	93,75	93,68	102,24	20,65	23,83	45,72	99365
94,67	94,82	94,74	102,01	11,91	15,09	45,72	99359
		94,74	102,24	19,84	23,01	45,72	99366
94,92	95,07	95,00	102,24	21,01	24,00	45,72	99369
95,00	95,15	95,07	102,39	8,74	12,70	45,72	99374
		95,07	102,49	11,91	15,09	45,72	99364
95,15	95,30	95,22	102,24	14,30	17,48	45,72	99376
95,25	95,40	95,25	102,11	17,48	22,23	45,72	99853 ²⁾³⁾
		95,33	102,24	8,74	12,70	45,72	99367
		95,33	102,11	17,48	22,23	45,72	99372
98,25	98,40	98,32	106,30	20,65	25,40	47,63	99386
98,37	98,53	98,43	107,16	20,65	25,40	47,63	99387
99,95	100,10	100,03	109,55	20,65	25,40	52,07	99854 ²⁾
		100,03	109,55	20,65	25,40	52,07	99393
101,55	101,75	101,60	111,13	12,70	15,88	52,48	99401
		101,60	111,13	15,24	18,42	52,07	99395
		101,60	111,13	16,51	19,69	34,93	99400
		101,60	111,13	20,65	25,40	52,07	99855 ²⁾
		101,60	111,13	20,65	25,40	52,07	99399
103,89	104,09	103,99	112,73	19,99	24,00	35,99	99409
104,70	104,90	104,78	113,54	20,65	25,40	34,93	99412
104,90	105,11	105,00	113,54	19,99	23,19	35,00	99413
106,25	106,45	106,38	114,30	20,65	25,40	34,93	99418
107,34	107,54	107,54	117,09	19,84	23,01	36,53	99423
107,90	108,10	107,95	117,09	20,65	25,40	36,53	99424

¹⁾ Possible max. distance of the rear groove from the shaft end when the installation tool supplied with the sleeve is used

²⁾ SKF SPEEDI-SLEEVE Gold

³⁾ Previously 99372



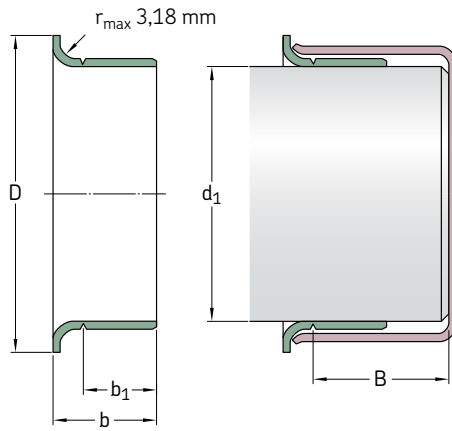
Shaft diameter range		Nominal dimensions					Designation
d_1 min	max	d_1	D $\pm 1,6$	b_1 $\pm 0,8$	b $\pm 0,8$	$B^{1)}$	
mm		mm					–
109,78	110,01	110,01	124,99	11,38	14,96	32,94	99434
109,91	110,11	109,93	124,99	12,93	16,51	31,75	99435
111,00	111,20	111,13	120,65	20,65	25,40	41,91	99437
111,79	111,99	111,99	120,65	19,05	22,50	33,02	99438
112,62	112,83	112,73	122,25	25,40	29,01	33,35	99439
114,20	114,40	114,30	123,19	20,65	25,40	31,75	99856 ²⁾
		114,30	124,46	20,65	25,40	31,75	99450
114,88	115,09	115,01	127,00	20,65	23,83	31,75	99452
117,37	117,58	117,48	127,00	11,13	15,88	34,93	99465
		117,48	128,60	25,40	31,75	34,93	99463
119,00	119,20	119,08	128,60	20,65	25,40	34,93	99468
119,89	120,09	119,99	129,79	8,00	11,00	33,60	99471
		119,99	129,79	19,99	24,99	32,00	99473
120,55	120,75	120,65	127,00	12,70	19,05	38,10	99475
121,89	122,10	122,00	131,50	19,99	24,00	32,00	99472
122,91	123,11	123,01	132,82	19,99	24,99	31,60	99484
123,72	123,93	123,83	133,35	15,88	19,05	36,53	99487
124,89	125,10	124,99	137,16	10,01	14,00	36,53	99490
		124,99	137,16	26,01	32,00	36,53	99492
126,95	127,15	127,00	137,16	13,72	17,30	36,53	99501
		127,00	137,16	17,48	22,23	36,53	99857 ²⁾
		127,00	137,16	17,48	22,23	36,53	99498
		127,00	136,91	20,65	25,40	36,53	99858 ²⁾
		127,00	136,91	20,65	25,40	36,53	99499
127,80	128,00	128,00	135,26	29,21	34,27	40,30	99482
129,79	130,00	129,90	139,52	19,05	23,83	30,00	99494
129,97	130,18	130,00	139,52	22,00	25,30	32,51	99874 ²⁾
		130,18	139,52	22,00	25,30	32,51	99491

¹⁾ Possible max. distance of the rear groove from the shaft end when the installation tool supplied with the sleeve is used

²⁾ SKF SPEEDI-SLEEVE Gold

SKF SPEEDI-SLEEVE – metric dimensions (converted from inch dimensions)

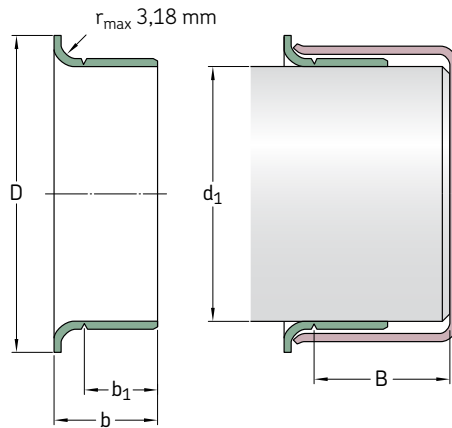
d₁ 130,05 – 203,33 mm



Shaft diameter range		Nominal dimensions					Designation
d ₁ min	max	d ₁	D ±1,6	b ₁ ±0,8	b ±0,8	B ¹⁾	
mm		mm					–
130,05	130,25	130,18	139,70	20,65	25,40	31,75	99513
133,25	133,45	133,35	141,22	20,65	25,40	31,75	99525
134,80	135,00	134,90	145,67	20,50	25,40	31,75	99533
136,42	136,63	136,53	149,23	20,65	25,40	31,75	99537
138,02	138,23	138,13	146,05	38,10	42,88	47,63	99548
138,99	139,19	139,09	149,86	14,30	19,05	31,34	99547
139,65	139,85	139,70	150,83	13,16	17,91	31,75	99550
		139,70	150,83	20,65	25,40	31,75	99859 ²⁾
		139,70	150,83	20,65	25,40	31,75	99549
139,90	140,11	140,00	151,00	20,50	25,40	31,75	99552
142,77	142,98	142,88	157,18	22,23	25,40	46,02	99560
144,75	145,01	145,01	154,94	19,05	22,23	46,02	99571
145,44	145,64	145,64	154,94	14,30	19,05	49,23	99562
145,95	146,15	146,05	156,97	20,65	25,40	44,45	99575
149,12	149,33	149,23	157,18	25,40	31,75	33,35	99862 ²⁾
		149,23	157,18	25,40	31,75	33,35	99587
149,76	150,01	149,99	159,00	26,01	30,00	32,51	99595
150,72	150,93	150,83	161,93	25,40	28,58	47,63	99596
152,27	152,48	152,40	161,54	12,70	19,05	44,45	99601
		152,40	161,93	25,40	31,75	44,45	99599
153,87	154,13	154,00	161,93	26,01	30,00	32,99	99605
154,74	154,99	154,86	167,01	26,01	30,00	32,99	99606
157,43	157,68	157,56	168,28	20,65	27,00	44,45	99620
158,62	158,88	158,75	168,28	26,19	31,75	44,45	99625
159,74	159,99	159,99	171,45	25,40	31,75	34,93	99630
164,97	165,23	165,10	177,80	25,40	31,75	34,93	99650

¹⁾ Possible max. distance of the rear groove from the shaft end when the installation tool supplied with the sleeve is used

²⁾ SKF SPEEDI-SLEEVE Gold



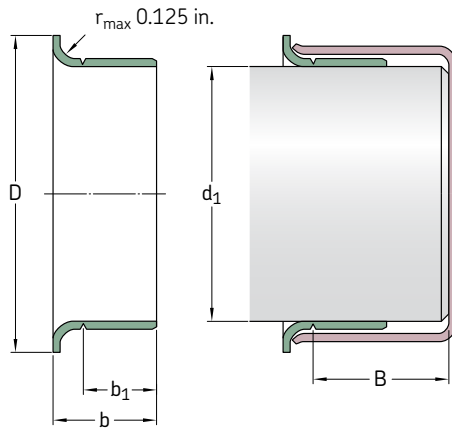
Shaft diameter range		Nominal dimensions					Designation
d_1 min	max	d_1	D $\pm 1,6$	b_1 $\pm 0,8$	b $\pm 0,8$	$B^{1)}$	
mm		mm					–
169,75	170,00	169,88	182,58	31,75	38,00	44,45	99640
171,32	171,58	171,45	180,98	20,65	27,00	44,45	99675
174,75	175,01	175,01	186,99	27,99	32,00	35,00	99687
177,67	177,93	177,80	189,87	25,40	31,75	42,88	99864²⁾
		177,80	189,87	25,40	31,75	42,88	99700
179,76	180,01	180,01	190,50	32,99	38,00	44,50	99721
184,00	184,25	184,15	197,10	31,75	38,10	55,25	99725
184,73	184,99	184,86	197,10	32,00	38,00	54,99	99726
189,08	189,33	189,31	199,64	20,65	25,40	31,75	99745
190,37	190,63	190,50	200,03	20,65	25,40	31,75	99750
196,72	196,98	196,85	210,06	25,40	33,35	47,63	99775
199,87	200,13	200,03	212,73	34,52	38,10	44,45	99787
201,50	201,75	201,63	212,73	25,40	31,75	44,45	99799
203,07	203,33	203,20	212,73	25,40	31,75	44,45	99800

¹⁾ Possible max. distance of the rear groove from the shaft end when the installation tool supplied with the sleeve is used

²⁾ SKF SPEEDI-SLEEVE Gold

SKF SPEEDI-SLEEVE – inch dimensions

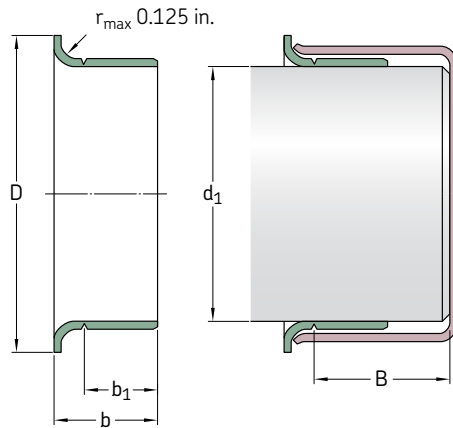
d₁ 0.472 – 1.339 in.



Shaft diameter range		Nominal dimensions					Designation	
d ₁ min	max	d ₁	D ±0.063	b ₁ ±0.031	b ±0.031	B ¹⁾		
in.		in.						–
0.472	0.475	0.472	0.610	0.236	0.331	1.875	99049	
0.498	0.502	0.500	0.610	0.250	0.344	2.000	99050	
0.547	0.551	0.551	0.750	0.250	0.391	1.831	99055	
0.560	0.566	0.563	0.750	0.250	0.391	1.831	99056	
0.589	0.593	0.591	0.750	0.197	0.354	1.862	99059	
0.623	0.627	0.625	0.750	0.313	0.406	2.000	99810 ²⁾	
		0.625	0.750	0.313	0.406	2.000	99062	
0.626	0.630	0.630	0.718	0.313	0.438	2.000	99058	
0.667	0.671	0.669	0.875	0.315	0.433	2.000	99068	
0.682	0.686	0.684	0.900	0.313	0.438	2.000	99060	
0.704	0.709	0.709	0.962	0.315	0.433	1.811	99082	
0.748	0.752	0.750	0.945	0.313	0.438	2.000	99811 ²⁾	
		0.750	0.945	0.313	0.438	2.000	99076	
0.759	0.761	0.760	0.938	0.313	0.438	2.000	99081	
0.780	0.784	0.781	0.935	0.313	0.438	2.000	99080	
0.785	0.789	0.787	0.930	0.315	0.433	2.000	99078	
0.812	0.815	0.813	1.188	0.375	0.563	3.000	99083	
0.857	0.861	0.859	1.155	0.250	0.375	2.000	99086	
0.861	0.866	0.866	1.188	0.259	0.359	1.856	99084	
		0.866	1.188	0.315	0.472	1.812	99085	
0.873	0.877	0.875	1.094	0.313	0.438	2.000	99812 ²⁾	
		0.875	1.094	0.313	0.438	2.000	99087	
0.908	0.912	0.910	1.218	0.313	0.438	1.847	99860 ²⁾	
		0.910	1.218	0.313	0.438	1.847	99091	
0.940	0.945	0.945	1.130	0.313	0.438	2.000	99092	
0.966	0.970	0.969	1.130	0.313	0.438	2.000	99094	
		0.969	1.130	0.625	0.719	2.000	99096	

¹⁾ Possible max. distance of the rear groove from the shaft end when the installation tool supplied with the sleeve is used

²⁾ SKF SPEEDI-SLEEVE Gold



Shaft diameter range		Nominal dimensions					Designation	
d_1 min	max	d_1	D ± 0.063	b_1 ± 0.031	b ± 0.031	$B^{1)}$		
in.		in.						–
0.982	0.986	0.984	1.300	0.313	0.433	2.000	99813²⁾	
		0.984	1.300	0.313	0.433	2.000	99098	
0.998	1.002	1.000	1.219	0.313	0.438	2.000	99814²⁾	
		1.000	1.219	0.313	0.438	2.000	99868³⁾	
1.019	1.024	1.024	1.313	0.315	0.472	1.813	99103	
1.060	1.064	1.063	1.320	0.313	0.438	1.843	99815²⁾	
		1.063	1.320	0.313	0.438	1.843	99106	
1.087	1.091	1.089	1.406	0.313	0.438	0.625	99108	
1.100	1.104	1.102	1.375	0.375	0.500	1.843	99866²⁾	
		1.102	1.375	0.375	0.500	1.843	99111	
1.123	1.127	1.125	1.500	0.313	0.438	0.688	99816²⁾	
		1.125	1.500	0.313	0.438	0.688	99112	
		1.125	1.500	0.375	0.500	0.688	99116	
1.154	1.158	1.156	1.350	0.375	0.500	0.688	99865²⁾	
		1.156	1.350	0.375	0.500	0.688	99120	
1.173	1.178	1.175	1.400	0.313	0.438	0.688	99122	
1.179	1.184	1.181	1.400	0.315	0.433	0.688	99114	
1.185	1.190	1.188	1.400	0.313	0.438	0.688	99118	
1.216	1.222	1.219	1.563	0.313	0.433	0.625	99123	
1.237	1.243	1.240	1.540	0.315	0.438	0.688	99141	
1.247	1.253	1.250	1.500	0.313	0.438	0.688	99817²⁾	
		1.250	1.500	0.313	0.438	0.688	99125	
1.257	1.263	1.260	1.500	0.315	0.438	0.688	99128	
1.297	1.301	1.299	1.594	0.591	0.709	1.000	99121	
1.308	1.314	1.313	1.600	0.250	0.375	0.813	99129	
1.310	1.316	1.313	1.594	0.500	0.625	0.813	99818²⁾	
		1.313	1.594	0.500	0.625	0.813	99131	
1.333	1.339	1.339	1.625	0.500	0.625	0.813	99134	

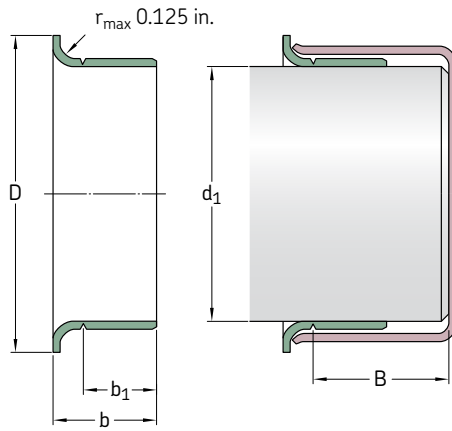
¹⁾ Possible max. distance of the rear groove from the shaft end when the installation tool supplied with the sleeve is used

²⁾ SKF SPEEDI-SLEEVE Gold

³⁾ Previously 99100

SKF SPEEDI-SLEEVE – inch dimensions

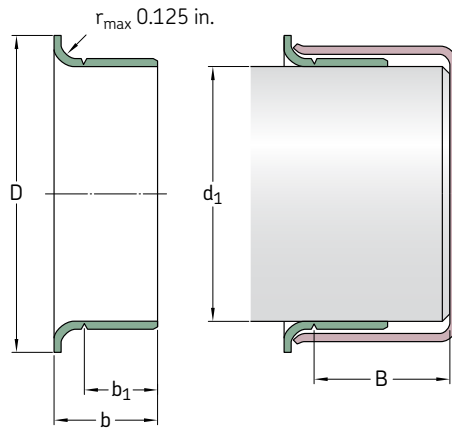
d₁ 1.371 – 1.940 in.



Shaft diameter range		Nominal dimensions					Designation	
d ₁ min	max	d ₁	D ±0.063	b ₁ ±0.031	b ±0.031	B ¹⁾		
in.		in.					–	
1.371	1.377	1.375	1.638	0.313	0.438	0.813	99133	
		1.375	1.638	0.500	0.625	0.813	99819²⁾	
		1.375	1.638	0.500	0.625	0.813	99138	
1.375	1.381	1.375	1.638	0.512	0.630	0.813	99820²⁾	
		1.375	1.638	0.512	0.630	0.813	99139	
1.411	1.417	1.417	1.781	0.512	0.669	0.984	99146	
1.432	1.438	1.438	1.781	0.563	0.688	1.016	99821²⁾	
		1.438	1.781	0.563	0.688	1.016	99143	
1.435	1.441	1.438	1.781	0.375	0.500	1.016	99144	
1.490	1.496	1.496	1.781	0.512	0.669	0.984	99147	
1.497	1.503	1.500	1.781	0.375	0.500	1.016	99823²⁾	
		1.500	1.781	0.375	0.500	1.016	99150	
		1.500	1.781	0.563	0.688	1.016	99822²⁾	
		1.500	1.781	0.563	0.688	1.016	99149	
1.520	1.526	1.523	1.859	0.438	0.563	1.016	99152	
1.549	1.555	1.552	1.859	0.438	0.563	1.016	99155	
1.559	1.565	1.562	1.859	0.563	0.688	1.016	99824²⁾	
		1.562	1.859	0.563	0.688	1.016	99156	
1.566	1.572	1.569	1.859	0.625	0.750	1.016	99159	
1.569	1.575	1.575	1.850	0.390	0.509	1.000	99153	
1.572	1.578	1.578	1.850	0.512	0.630	1.023	99825²⁾	
		1.578	1.850	0.512	0.630	1.023	99157	
1.602	1.608	1.605	1.938	0.500	0.641	1.000	99160	
1.608	1.614	1.614	1.938	0.500	0.625	1.016	99163	
1.622	1.628	1.625	1.875	0.313	0.438	1.016	99161	
		1.625	1.875	0.563	0.688	0.813	99826²⁾	
		1.625	1.875	0.563	0.688	0.813	99162	
1.647	1.654	1.650	2.087	0.445	0.571	0.846	99166	
		1.650	2.087	0.563	0.689	0.827	99169	
		1.654	2.087	0.563	0.689	0.827	99873²⁾	

¹⁾ Possible max. distance of the rear groove from the shaft end when the installation tool supplied with the sleeve is used

²⁾ SKF SPEEDI-SLEEVE Gold



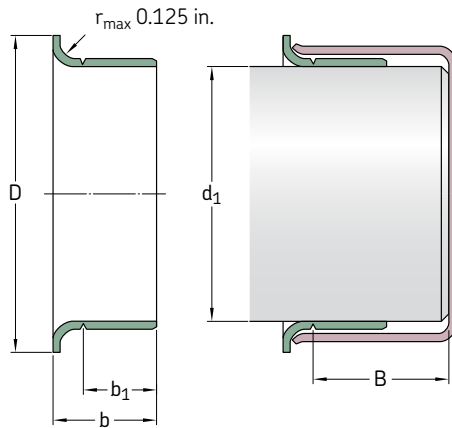
Shaft diameter range		Nominal dimensions					Designation
d_1 min	max	d_1	D ± 0.063	b_1 ± 0.031	b ± 0.031	$B^{1)}$	
in.		in.					–
1.653	1.659	1.656	2.087	0.550	0.689	0.827	99165
1.684	1.690	1.688	1.906	0.563	0.688	0.875	99168
1.685	1.691	1.688	1.906	0.313	0.438	0.875	99167
1.687	1.693	1.693	1.906	0.500	0.625	0.844	99182
1.715	1.721	1.719	2.031	0.563	0.688	0.813	99171
1.736	1.742	1.739	2.063	0.375	0.500	0.813	99170
1.747	1.753	1.750	2.055	0.375	0.500	0.813	99172
		1.750	2.063	0.531	0.625	0.878	99180
		1.750	2.063	0.563	0.688	0.813	99827²⁾
		1.750	2.063	0.563	0.688	0.813	99174
		1.750	2.063	0.750	0.875	0.813	99828²⁾
		1.750	2.063	0.750	0.875	0.813	99175
1.761	1.767	1.766	2.063	0.563	0.688	0.813	99829²⁾
		1.766	2.063	0.563	0.688	0.813	99176
1.769	1.775	1.772	2.087	0.551	0.669	0.812	99830²⁾
		1.772	2.087	0.551	0.669	0.812	99177
1.778	1.784	1.781	2.125	0.667	0.800	1.062	99179
1.809	1.815	1.813	2.090	0.563	0.688	1.000	99831²⁾
		1.813	2.090	0.563	0.688	1.000	99181
1.857	1.863	1.859	2.156	0.563	0.688	1.000	99185
1.866	1.872	1.868	2.188	0.889	1.025	1.000	99186
1.872	1.878	1.875	2.203	0.175	0.295	0.744	99190
		1.875	2.203	0.295	0.415	0.744	99188
		1.875	2.203	0.375	0.516	1.050	99184
		1.875	2.203	0.563	0.688	1.000	99832²⁾
		1.875	2.203	0.563	0.688	1.000	99187
1.887	1.893	1.891	2.205	0.551	0.668	0.984	99189
1.909	1.915	1.912	2.219	0.375	0.500	1.000	99192
1.934	1.940	1.938	2.219	0.563	0.688	1.000	99833²⁾
		1.938	2.219	0.563	0.688	1.000	99193

¹⁾ Possible max. distance of the rear groove from the shaft end when the installation tool supplied with the sleeve is used

²⁾ SKF SPEEDI-SLEEVE Gold

SKF SPEEDI-SLEEVE – inch dimensions

d₁ 1.965 – 2.753 in.

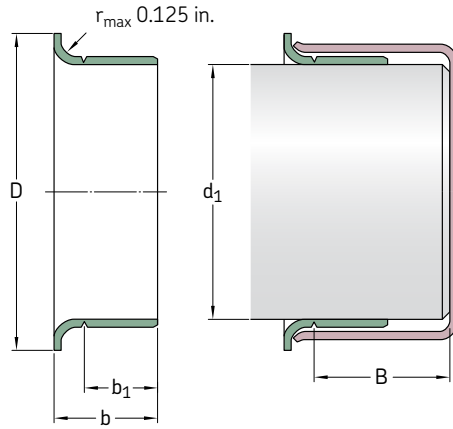


Shaft diameter range		Nominal dimensions					Designation	
d ₁ min	max	d ₁	D ±0.063	b ₁ ±0.031	b ±0.031	B ¹⁾		
in.		in.						–
1.965	1.971	1.969	2.244	0.551	0.668	1.350	99052	
		1.969	2.244	0.551	0.668	0.984	99196	
1.977	1.983	1.980	2.313	0.563	0.704	1.050	99198	
1.997	2.003	2.000	2.406	0.563	0.688	1.006	99834²⁾	
		2.000	2.406	0.563	0.688	1.000	99199	
		2.000	2.406	0.875	1.000	1.000	99835²⁾	
		2.000	2.406	0.875	1.000	1.000	99200	
2.040	2.047	2.047	2.469	0.500	0.625	1.359	99878³⁾	
2.057	2.063	2.063	2.469	0.781	0.938	1.375	99205	
2.123	2.128	2.125	2.422	0.500	0.750	1.281	99210	
2.124	2.130	2.125	2.422	0.781	0.938	1.375	99836²⁾	
		2.125	2.422	0.781	0.938	1.375	99212	
2.162	2.168	2.165	2.441	0.787	0.905	1.250	99863²⁾	
		2.165	2.441	0.787	0.905	1.250	99215	
2.186	2.192	2.188	2.500	0.781	0.938	1.313	99218	
2.198	2.205	2.205	2.531	0.500	0.625	1.313	99220	
		2.205	2.531	0.779	0.936	3.150	99224	
2.227	2.233	2.230	2.531	0.500	0.625	1.313	99861²⁾	
		2.230	2.531	0.500	0.625	1.313	99229	
		2.230	2.531	0.781	0.906	1.250	99230	
2.237	2.243	2.240	2.563	0.764	0.900	1.250	99226	
2.249	2.255	2.250	2.531	0.313	0.438	1.313	99838²⁾	
		2.250	2.531	0.313	0.438	1.313	99227	
		2.250	2.531	0.781	0.938	1.313	99837²⁾	
		2.250	2.531	0.781	0.938	1.313	99225	
2.280	2.286	2.283	2.598	0.787	0.938	1.375	99219	
2.309	2.315	2.313	2.688	0.781	0.938	1.375	99231	
2.327	2.333	2.328	2.750	0.750	0.875	1.500	99233	
2.359	2.365	2.362	2.785	0.370	0.450	1.471	99241	
		2.362	2.785	0.787	0.905	1.375	99869²⁾	
		2.362	2.785	0.787	0.905	1.375	99235	

¹⁾ Possible max. distance of the rear groove from the shaft end when the installation tool supplied with the sleeve is used

²⁾ SKF SPEEDI-SLEEVE Gold

³⁾ Previously 99204



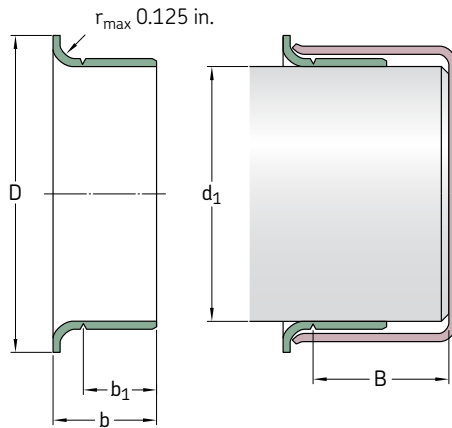
Shaft diameter range		Nominal dimensions					Designation	
d_1 min	max	d_1	D ± 0.063	b_1 ± 0.031	b ± 0.031	$B^{1)}$		
in.		in.						–
2.372	2.378	2.375	2.750	0.594	0.750	1.375	99238	
2.374	2.380	2.375	2.750	0.526	0.683	1.375	99240	
		2.375	2.750	0.781	0.938	1.375	99839 ²⁾	
		2.375	2.750	0.781	0.938	1.375	99237	
2.434	2.441	2.438	2.828	0.781	0.938	1.393	99243	
		2.441	2.828	0.500	0.625	1.425	99244	
2.435	2.441	2.438	2.828	0.500	0.625	1.425	99242	
2.489	2.495	2.492	2.875	0.781	0.938	1.393	99249	
2.497	2.503	2.500	2.820	0.555	0.650	0.890	99253	
2.500	2.506	2.500	2.828	0.500	0.656	1.393	99248	
		2.500	2.820	0.781	0.938	1.375	99840 ²⁾	
		2.500	2.820	0.781	0.938	1.375	99250	
2.510	2.516	2.516	2.828	0.781	0.906	1.438	99251	
2.556	2.562	2.559	2.850	0.787	0.905	1.375	99841 ²⁾	
		2.559	2.850	0.787	0.905	1.375	99254	
2.560	2.566	2.563	2.891	0.781	0.938	1.375	99256	
2.595	2.601	2.598	2.990	0.781	0.938	1.250	99259	
2.618	2.624	2.621	3.047	0.781	0.938	1.375	99261	
2.621	2.627	2.625	3.047	0.781	0.906	1.375	99264	
2.622	2.628	2.625	3.047	0.500	0.625	1.375	99260	
2.625	2.631	2.625	3.047	0.781	0.938	1.375	99842 ²⁾	
		2.625	3.047	0.781	0.938	1.375	99262	
2.670	2.677	2.677	3.125	0.750	0.875	1.688	99266	
2.727	2.733	2.730	3.125	0.781	0.906	1.313	99268	
2.740	2.746	2.743	3.065	0.781	0.938	1.250	99273	
2.745	2.751	2.750	3.125	0.781	0.938	1.250	99843 ²⁾	
		2.750	3.125	0.781	0.938	1.250	99274	
2.747	2.753	2.750	3.075	1.438	1.625	1.625	99267	

¹⁾ Possible max. distance of the rear groove from the shaft end when the installation tool supplied with the sleeve is used

²⁾ SKF SPEEDI-SLEEVE Gold

SKF SPEEDI-SLEEVE – inch dimensions

d₁ 2.750 – 3.566 in.

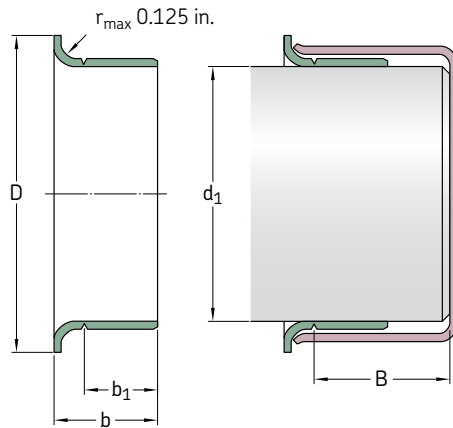


Shaft diameter range		Nominal dimensions					Designation	
d ₁ min	max	d ₁	D ±0.063	b ₁ ±0.031	b ±0.031	B ¹⁾		
in.		in.					–	
2.750	2.756	2.750	3.125	0.406	0.563	1.250	99272	
		2.750	3.125	0.781	0.938	1.250	99844 ²⁾	
		2.750	3.125	0.781	0.938	1.250	99275	
		2.750	3.125	1.125	1.250	1.312	99269	
2.753	2.759	2.756	3.125	0.787	0.945	1.250	99276	
2.809	2.815	2.813	3.188	0.594	0.688	1.250	99281	
2.828	2.835	2.835	3.225	0.750	0.875	1.343	99870 ²⁾	
		2.835	3.225	0.750	0.875	1.343	99284	
2.838	2.844	2.838	3.225	0.500	0.656	1.250	99845 ²⁾	
		2.838	3.225	0.500	0.656	1.250	99282	
2.866	2.872	2.869	3.188	0.781	0.938	1.250	99286	
2.873	2.879	2.875	3.219	0.781	0.938	1.250	99846 ²⁾	
		2.875	3.219	0.781	0.938	1.250	99287	
2.937	2.943	2.938	3.344	0.500	0.641	1.331	99290	
		2.938	3.344	0.781	0.938	1.313	99847 ²⁾	
		2.940	3.344	0.781	0.938	1.313	99293	
2.950	2.956	2.953	3.273	0.594	0.690	1.083	99289	
		2.953	3.305	0.866	1.024	1.313	99875 ²⁾	
		2.953	3.305	0.866	1.024	1.313	99294	
2.972	2.976	2.974	3.235	0.813	1.000	1.250	99292	
2.990	2.996	2.993	3.359	0.484	0.625	1.331	99291	
		2.993	3.359	0.563	0.688	1.375	99298	
		2.993	3.350	0.813	1.000	1.281	99299	
2.997	3.003	3.000	3.240	0.813	0.938	1.375	99296	
3.000	3.006	3.000	3.345	0.625	0.813	1.280	99048 ³⁾	
		3.000	3.235	0.813	1.000	1.281	99848 ²⁾	
		3.000	3.235	0.813	1.000	1.281	99300	
3.008	3.014	3.011	3.355	0.500	0.625	2.000	99301	
3.064	3.071	3.071	3.468	0.750	0.875	2.056	99306	
3.120	3.126	3.125	3.531	0.688	0.813	2.000	99311	
		3.125	3.531	0.813	1.000	2.000	99849 ²⁾	
		3.125	3.531	0.813	1.000	2.000	99312	

¹⁾ Possible max. distance of the rear groove from the shaft end when the installation tool supplied with the sleeve is used

²⁾ SKF SPEEDI-SLEEVE Gold

³⁾ Previously 99303



Shaft diameter range		Nominal dimensions					Designation
d_1 min	max	d_1	D ± 0.063	b_1 ± 0.031	b ± 0.031	$B^{1)}$	
in.		in.					-
3.124	3.132	3.125	3.525	0.551	0.709	2.031	99053³⁾
3.142	3.150	3.150	3.540	0.750	0.886	1.375	99313
3.146	3.153	3.150	3.543	0.433	0.591	1.375	99317
		3.150	3.543	0.827	0.945	1.375	99315
3.225	3.231	3.228	3.585	0.660	0.848	1.750	99328
3.247	3.253	3.250	3.594	0.813	1.000	1.375	99322
3.250	3.256	3.250	3.575	0.595	0.719	1.375	99850²⁾
		3.250	3.575	0.595	0.719	1.375	99324
		3.250	3.585	0.688	0.875	1.250	99326
		3.250	3.585	0.813	1.000	1.375	99851²⁾
		3.250	3.585	0.813	1.000	1.375	99325
3.307	3.313	3.310	3.688	0.813	1.000	1.375	99331
3.337	3.347	3.342	3.700	0.669	0.827	1.378	99332
		3.342	3.700	0.827	0.984	1.378	99872²⁾
		3.342	3.700	0.827	0.984	1.378	99333
3.338	3.347	3.347	3.580	0.399	0.499	1.431	99334
3.373	3.379	3.375	3.688	0.375	0.500	1.410	99338
		3.375	3.695	0.813	1.000	1.375	99337
3.435	3.441	3.438	3.844	0.781	0.906	1.406	99339
3.457	3.465	3.465	3.751	1.150	1.349	1.673	99481
3.477	3.483	3.480	3.835	0.781	0.906	1.406	99340
3.497	3.503	3.500	3.844	0.625	0.813	1.347	99346
3.500	3.506	3.500	3.825	0.313	0.500	1.347	99347
		3.500	3.844	0.813	1.000	1.347	99852²⁾
		3.500	3.844	0.813	1.000	1.347	99350
3.501	3.507	3.504	3.844	0.625	0.813	1.348	99349
3.540	3.546	3.543	4.000	0.438	0.538	1.813	99352
		3.543	4.000	0.526	0.667	1.750	99353
		3.543	4.000	0.710	0.906	1.813	99351
		3.543	4.000	0.906	1.102	1.750	99354
3.560	3.566	3.563	3.900	0.813	1.000	1.750	99356

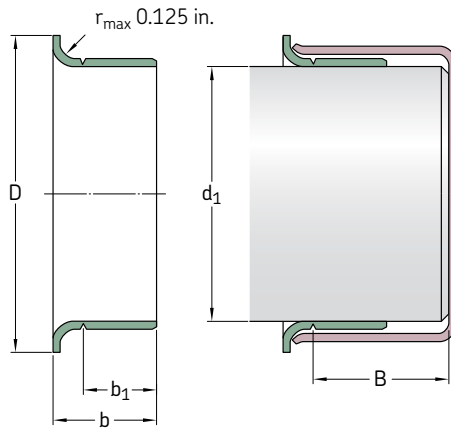
¹⁾ Possible max. distance of the rear groove from the shaft end when the installation tool supplied with the sleeve is used

²⁾ SKF SPEEDI-SLEEVE Gold

³⁾ Previously 99307

SKF SPEEDI-SLEEVE – inch dimensions

d₁ 3.618 – 5.125 in.

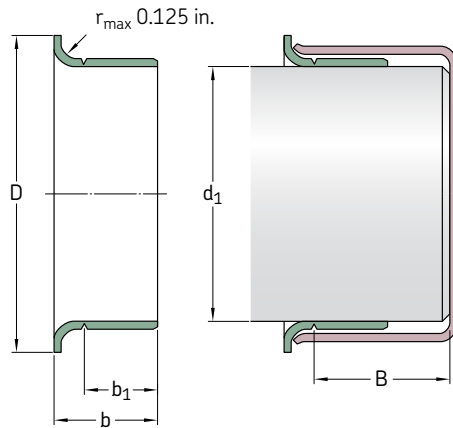


Shaft diameter range		Nominal dimensions					Designation	
d ₁ min	max	d ₁	D ±0.063	b ₁ ±0.031	b ±0.031	B ¹⁾		
in.		in.						–
3.618	3.624	3.621	4.031	0.813	1.000	1.750	99360	
3.623	3.629	3.625 3.625	4.025 4.031	0.500 0.813	0.625 1.000	1.750 1.750	99363 99362	
3.684	3.690	3.688	4.031	0.313	0.438	0.875	99368	
3.685	3.691	3.688	4.025	0.813	0.938	1.800	99365	
3.727	3.733	3.730 3.730	4.016 4.025	0.469 0.781	0.594 0.906	1.800 1.800	99359 99366	
3.737	3.743	3.740	4.025	0.827	0.945	1.800	99369	
3.740	3.746	3.743 3.743	4.031 4.035	0.344 0.469	0.500 0.594	1.800 1.800	99374 99364	
3.746	3.752	3.749	4.025	0.563	0.688	1.800	99376	
3.750	3.756	3.750 3.753 3.753	4.020 4.025 4.020	0.688 0.344 0.688	0.875 0.500 0.875	1.800 1.800 1.800	99853 ²⁾³⁾ 99367 99372	
3.868	3.874	3.871	4.185	0.813	1.000	1.875	99386	
3.873	3.879	3.875	4.219	0.813	1.000	1.875	99387	
3.935	3.941	3.938 3.938	4.313 4.313	0.813 0.813	1.000 1.000	2.050 2.050	99854 ²⁾ 99393	
3.998	4.006	4.000 4.000 4.000 4.000 4.000	4.375 4.375 4.375 4.375 4.375	0.500 0.600 0.650 0.813 0.813	0.625 0.725 0.775 1.000 1.000	2.066 2.050 1.375 2.050 2.050	99401 99395 99400 99855 ²⁾ 99399	
4.090	4.098	4.094	4.438	0.787	0.945	1.417	99409	
4.122	4.130	4.125	4.470	0.813	1.000	1.375	99412	
4.130	4.138	4.134	4.470	0.787	0.913	1.378	99413	
4.183	4.191	4.188	4.500	0.813	1.000	1.375	99418	
4.226	4.234	4.234	4.610	0.781	0.906	1.438	99423	
4.248	4.256	4.250	4.610	0.813	1.000	1.438	99424	

¹⁾ Possible max. distance of the rear groove from the shaft end when the installation tool supplied with the sleeve is used

²⁾ SKF SPEEDI-SLEEVE Gold

³⁾ Previously 99372



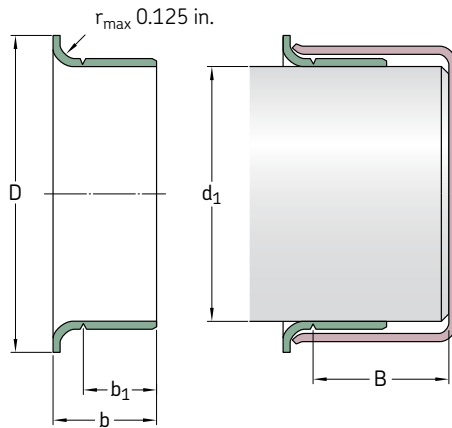
Shaft diameter range		Nominal dimensions					Designation	
d_1 min	max	d_1	D ± 0.063	b_1 ± 0.031	b ± 0.031	$B^{1)}$		
in.		in.					-	
4.322	4.331	4.331	4.921	0.448	0.589	1.297	99434	
4.327	4.335	4.328	4.921	0.509	0.650	1.250	99435	
4.370	4.378	4.375	4.750	0.813	1.000	1.650	99437	
4.401	4.409	4.409	4.750	0.750	0.886	1.300	99438	
4.434	4.442	4.438	4.813	1.000	1.142	1.313	99439	
4.496	4.504	4.500	4.850	0.813	1.000	1.250	99856 ²⁾	
		4.500	4.900	0.813	1.000	1.250	99450	
4.523	4.531	4.528	5.000	0.813	0.938	1.250	99452	
4.621	4.629	4.625	5.000	0.438	0.625	1.375	99465	
		4.625	5.063	1.000	1.250	1.375	99463	
4.685	4.693	4.688	5.063	0.813	1.000	1.375	99468	
4.720	4.728	4.724	5.110	0.315	0.433	1.323	99471	
		4.724	5.110	0.787	0.984	1.260	99473	
4.746	4.754	4.750	5.000	0.500	0.750	1.500	99475	
4.799	4.807	4.803	5.177	0.787	0.945	1.260	99472	
4.839	4.847	4.843	5.229	0.787	0.984	1.244	99484	
4.871	4.879	4.875	5.250	0.625	0.750	1.438	99487	
4.917	4.925	4.921	5.400	0.394	0.551	1.438	99490	
		4.921	5.400	1.024	1.260	1.438	99492	
4.998	5.006	5.000	5.400	0.540	0.681	1.438	99501	
		5.000	5.400	0.688	0.875	1.438	99857 ²⁾	
		5.000	5.400	0.688	0.875	1.438	99498	
		5.000	5.390	0.813	1.000	1.438	99858 ²⁾	
		5.000	5.390	0.813	1.000	1.438	99499	
5.032	5.039	5.039	5.325	1.150	1.349	1.587	99482	
5.110	5.118	5.114	5.493	0.750	0.938	1.181	99494	
5.117	5.125	5.118	5.493	0.866	0.996	1.280	99874 ²⁾	
		5.125	5.493	0.866	0.996	1.280	99491	

¹⁾ Possible max. distance of the rear groove from the shaft end when the installation tool supplied with the sleeve is used

²⁾ SKF SPEEDI-SLEEVE Gold

SKF SPEEDI-SLEEVE – inch dimensions

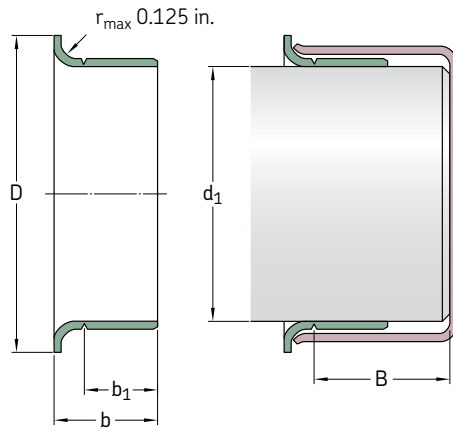
d₁ 5.120 – 8.005 in.



Shaft diameter range		Nominal dimensions					Designation	
d ₁ min	max	d ₁	D ±0.063	b ₁ ±0.031	b ±0.031	B ¹⁾		
in.		in.						–
5.120	5.128	5.125	5.500	0.813	1.000	1.250	99513	
5.246	5.254	5.250	5.560	0.813	1.000	1.250	99525	
5.307	5.315	5.311	5.735	0.807	1.000	1.250	99533	
5.371	5.379	5.375	5.875	0.813	1.000	1.250	99537	
5.434	5.442	5.438	5.750	1.500	1.688	1.875	99548	
5.472	5.480	5.476	5.900	0.563	0.750	1.234	99547	
5.498	5.506	5.500	5.938	0.518	0.705	1.250	99550	
		5.500	5.938	0.813	1.000	1.250	99859 ²⁾	
		5.500	5.938	0.813	1.000	1.250	99549	
5.508	5.516	5.512	5.945	0.807	1.000	1.250	99552	
5.621	5.629	5.625	6.188	0.875	1.000	1.812	99560	
5.699	5.709	5.709	6.100	0.750	0.875	1.812	99571	
5.726	5.734	5.734	6.100	0.563	0.750	1.938	99562	
5.746	5.754	5.750	6.180	0.813	1.000	1.750	99575	
5.871	5.879	5.875	6.188	1.000	1.250	1.313	99862 ²⁾	
		5.875	6.188	1.000	1.250	1.313	99587	
5.896	5.906	5.905	6.260	1.024	1.181	1.280	99595	
5.934	5.942	5.938	6.375	1.000	1.125	1.875	99596	
5.995	6.003	6.000	6.360	0.500	0.750	1.750	99601	
		6.000	6.375	1.000	1.250	1.750	99599	
6.058	6.068	6.063	6.375	1.024	1.181	1.299	99605	
6.092	6.102	6.097	6.575	1.024	1.181	1.299	99606	
6.198	6.208	6.203	6.625	0.813	1.063	1.750	99620	
6.245	6.255	6.250	6.625	1.031	1.250	1.750	99625	
6.289	6.299	6.299	6.750	1.000	1.250	1.375	99630	
6.495	6.505	6.500	7.000	1.000	1.250	1.375	99650	

¹⁾ Possible max. distance of the rear groove from the shaft end when the installation tool supplied with the sleeve is used

²⁾ SKF SPEEDI-SLEEVE Gold



Shaft diameter range		Nominal dimensions					Designation
d_1 min	max	d_1	D ± 0.063	b_1 ± 0.031	b ± 0.031	$B^{1)}$	
in.		in.					–
6.683	6.693	6.688	7.188	1.250	1.496	1.750	99640
6.745	6.755	6.750	7.125	0.813	1.063	1.750	99675
6.880	6.890	6.890	7.362	1.102	1.260	1.378	99687
6.995	7.005	7.000 7.000	7.475 7.475	1.000 1.000	1.250 1.250	1.688 1.688	99864²⁾ 99700
7.077	7.087	7.087	7.500	1.299	1.496	1.752	99721
7.244	7.254	7.250	7.760	1.250	1.500	2.175	99725
7.273	7.283	7.278	7.760	1.260	1.496	2.165	99726
7.444	7.454	7.453	7.860	0.813	1.000	1.250	99745
7.495	7.505	7.500	7.875	0.813	1.000	1.250	99750
7.745	7.755	7.750	8.270	1.000	1.313	1.875	99775
7.869	7.879	7.875	8.375	1.359	1.500	1.750	99787
7.933	7.943	7.938	8.375	1.000	1.250	1.750	99799
7.995	8.005	8.000	8.375	1.000	1.250	1.750	99800

¹⁾ Possible max. distance of the rear groove from the shaft end when the installation tool supplied with the sleeve is used

²⁾ SKF SPEEDI-SLEEVE Gold

Wear sleeves for heavy industrial applications

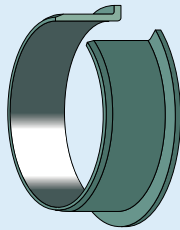
Outside contamination particles and polishing friction between a rotating shaft and a seal can, over time, result in severe shaft damage. Instead of repairing or replacing the damaged shaft, SKF recommends the use of wear sleeves for heavy industrial applications (LD SLV), primarily in applications where no SKF SPEEDI-SLEEVE is available, i.e. for shaft diameters ranging from 211,15 to 1 143 mm (8.313 to 45 in.). The sleeves are made to order to fit shaft diameters within the primary ranges listed in **tables 1** and **2**. A selection of sizes is listed in the product tables starting on **page 34**.

The LD SLV designs are recommended for applications where the operating conditions for the seals are difficult, particularly where solid contaminants can reach the seals, like in rolling mills, primary metal plants and in chemical and mineral plants.

In applications where seal wear and shaft damage can be expected, SKF recommends that the wear sleeves be installed into the application from the outset. It will then not be necessary to rework the shaft before installing a replacement sleeve and the original size can be used for the replacement seal.

Table 1

Primary dimension range of LD SLV3



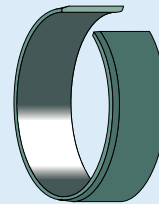
Shaft range		Width ¹⁾	
over	incl.	min	max
mm/in.		mm/in.	
211,15	736,60	17,48	63,50
8.313	29.000	0.688	2.500
736,60	1 143,00	25,40	63,50
29.000	45.000	1.000	2.500

¹⁾ Total width (b), 38,10 to 50,80 mm (1.5 to 2 in.) at 1 143,00 mm (45 in.) shaft diameter

Contact SKF for LD SLV3 designs outside the primary range.

Table 2

Primary dimension range of LD SLV4



Shaft range		Width ¹⁾	
over	incl.	min	max
mm/in.		mm/in.	
211,15	736,60	12,70	63,50
8.313	29.000	0.500	2.500
736,60	1 143,00	19,05	63,50
29.000	45.000	0.750	2.500

¹⁾ Total width (b), 38,10 to 50,80 mm (1.5 to 2 in.) at 1 143,00 mm (45 in.) shaft diameter

Contact SKF for LD SLV4 designs outside the primary range.

Designs and features

There are two designs of SKF wear sleeves for heavy industrial applications; LDSLV3 with a flange (→ **fig. 1**) and LDSLV4 without a flange (→ **fig. 2**). Both designs are made of SAE 1008 chromium-plated carbon steel to enhance wear and corrosion resistance. Other sleeve materials can be provided to meet the demands of a specific application. The sleeve outside diameter is specially ground to provide a precision counterface surface for the seal. The wall thickness of the standard sleeves is 2,39 mm (0.094 in.).

LDSLV3 is designed with a flange to simplify final positioning of the sleeve. The width of the counterface for the seal is 6,35 mm (0.25 in.) narrower than the total width of the sleeve. The flange adds a nominal 25,4 mm (1 in.) over the shaft diameter. The flange height is 12,7 mm (0.5 in.) for all sizes. Note that force should never be applied directly to the flange when installing an LDSLV3.

LDSLV4 has the same features as LDSLV3 but has no flange. LDSLV4 is intended for applications where a flange could interfere with other components during installation, or where a wider contact surface for the seal is required.

Using LDSLV designs

There are two alternative ways of using SKF wear sleeves for heavy industrial applications (→ **fig. 3**);

- 1 The sleeve is positioned on the shaft until it covers the damaged part and a new seal, designed for a 4,78 mm (0.188 in.) larger shaft diameter is used.
- 2 The shaft is machined down by 4,78 mm (0.188 in.) in diameter, the sleeve is installed and the original seal size is used.

The reworked shaft surface for the sleeve should have a surface roughness of between R_a 2,5 and 3,2 μm (100 to 125 $\mu\text{in.}$)

NOTE: The shaft tolerances for LDSLV designs, due to their heated slip-fit installation, are different from those for radial shaft seals. Contact SKF for assistance if the sleeves are to be used in systems with sustained temperatures higher than 75 °C (165 °F) and surface speeds in excess of 20 m/s (3 900 ft/min).

Installation

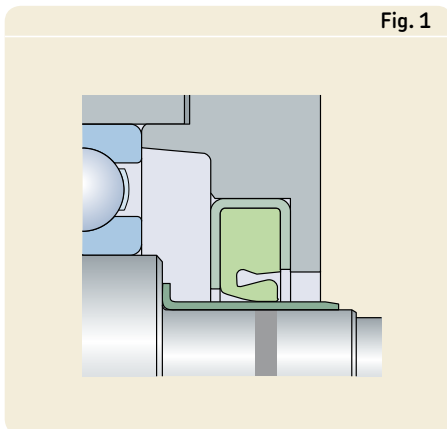
SKF wear sleeves for heavy industrial applications are designed for a heated slip-fit installation and must therefore be uniformly heated prior to installation on the shaft. The sleeve temperature should be approximately 180 °C (355 °F). Under no circumstances should the sleeve be heated to above 200 °C (390 °F). Any of the heating techniques normally used for bearings is suitable, e.g. induction heaters or heating cabinets.

The sleeves should be installed immediately after heating since they cool rapidly and could seize on the shaft before the correct position is achieved. If repositioning is necessary, use a soft faced hammer and a wooden block. After the sleeve is in the desired position, check the lead-in chamfer for any damage during installation.

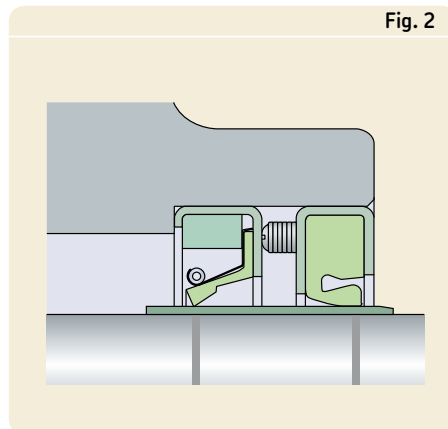
Removal

Wear sleeves for heavy industrial applications can be removed either by heating them or expanding them by light hammer blows. Prior to removal, the flange of the LDSLV3 should first be cut through at one point, using care not to damage the shaft surface.

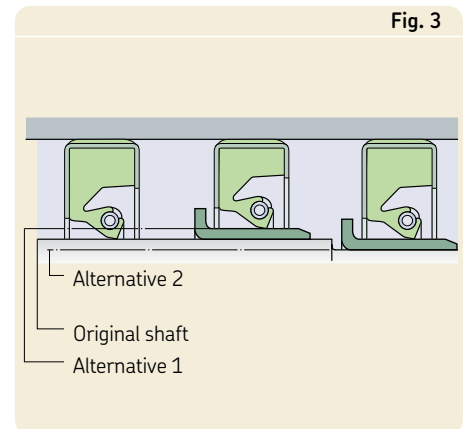
LDSLV3



LDSLV4

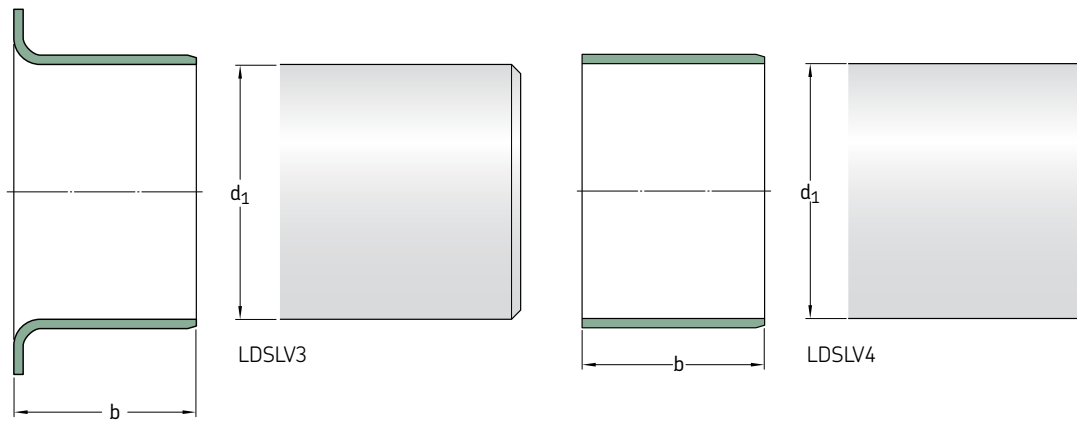


Using LDSLV designs

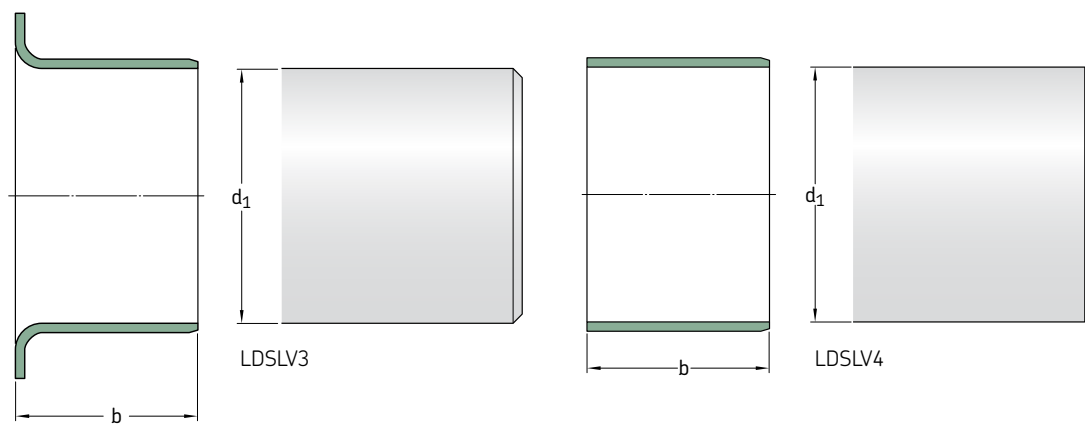


Wear sleeves for heavy industrial applications – LDSLV3 and LDSLV4 – metric dimensions

d₁ 215,00 – 1 100,23 mm



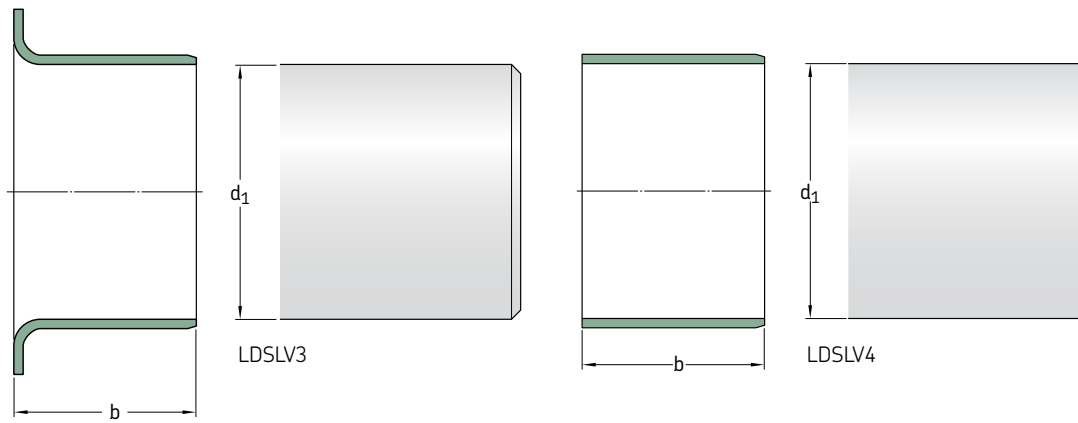
Shaft diameter	Sleeve width	Reference sleeve installed outside diameter	Design	Designation	Shaft diameter	Sleeve width	Reference sleeve installed outside diameter	Design	Designation				
d ₁	b				d ₁	b							
mm	mm	mm	–	–	mm	mm	mm	–	–				
215,00	25,40	220	LDSLV3	90179	405,23	50	410	LDSLV4	90042				
215,20	35	220	LDSLV3	87831	419,99	63,50	425	LDSLV3	97064				
220,00	25	225	LDSLV3	90806	435,20	63,50	440	LDSLV4	87916				
	40	225	LDSLV3	87914									
	50,80	225	LDSLV3	87915									
235,23	18	240	LDSLV4	90952	455,00	30	460	LDSLV4	90347				
240,00	17,50	250	LDSLV3	90156	455,20	50	460	LDSLV4	87504				
240,21	44	245	LDSLV4	87911	475,18	20	480	LDSLV4	87921				
245,20	63,50	250	LDSLV3	90766	494,44	24	500	LDSLV4	90259				
275,00	22	280	LDSLV4	90546	495,20	30	500	LDSLV4	87503				
280,00	45	285	LDSLV4	90437	503,25	24	508	LDSLV4	90149				
285,22	63,50	290	LDSLV4	90238	530,00	20	535	LDSLV4	87783				
295,20	32	300	LDSLV3	90114	535,23	63	540	LDSLV4	90802				
315,19	63,50	320	LDSLV4	90155	555,20	63,50	560	LDSLV4	90075				
320,00	63,50	325	LDSLV4	90198	575,23	63,50	580	LDSLV4	90951				
325,22	63,50	330	LDSLV4	90239	585,22	55	590	LDSLV4	90292				
										595,20	58,20	600	LDSLV3
335,22	39	340	LDSLV4	90777	595,22	50	600	LDSLV3	90241				
										50	340	LDSLV4	90792
340,00	18	340	LDSLV4	87901	645,20	64	650	LDSLV4	90004				
										50	340	LDSLV4	90801
										50	345	LDSLV3	90113
355,20	25,40	360	LDSLV4	90778	645,24	63,50	650	LDSLV3	87817				
										50	360	LDSLV4	90785
360,00	44	365	LDSLV4	87500	665,20	45	670	LDSLV4	90799				
										360,22	45	365	LDSLV4
365,20	20	370	LDSLV4	87531	685,22	63,50	690	LDSLV4	90953				
										395,22	63,50	400	LDSLV4
395,22	63,50	400	LDSLV4	87461	714,81	50	720	LDSLV4	87820				
										735,23	63	740	LDSLV4
395,22	63,50	400	LDSLV4	87461	755,19	63,50	760	LDSLV3	87981				
										865,23	63,50	870	LDSLV4



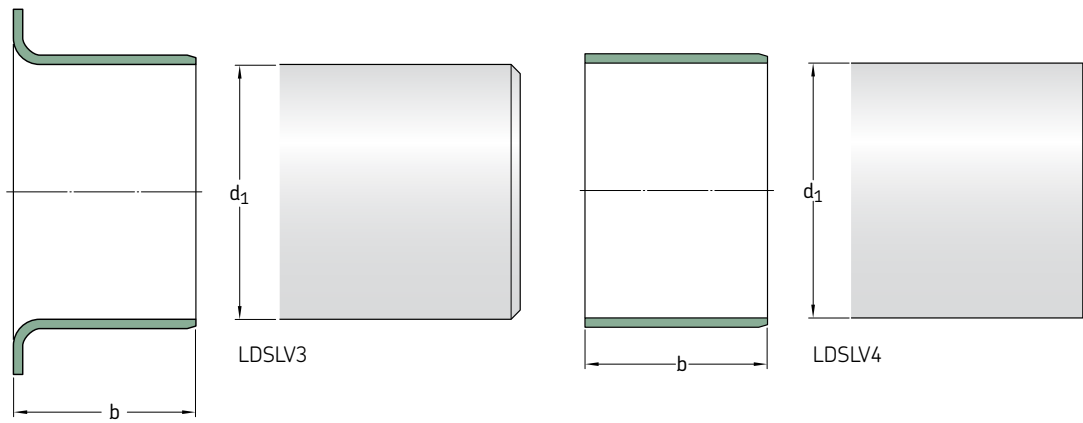
Shaft diameter	Sleeve width	Reference sleeve installed outside diameter	Design	Designation
d_1	b			
mm	mm	mm	-	-
875,18	63,50	880	LDSLV4	90103
1 015,20	25	1 020	LDSLV4	90786
1 049,33	60	1 054	LDSLV4	89947
1 100,23	63	1 105	LDSLV4	89946

Wear sleeves for heavy industrial applications – LDSLV3 and LDSLV4 – inch dimensions

d₁ 8.313 – 11.969 in.

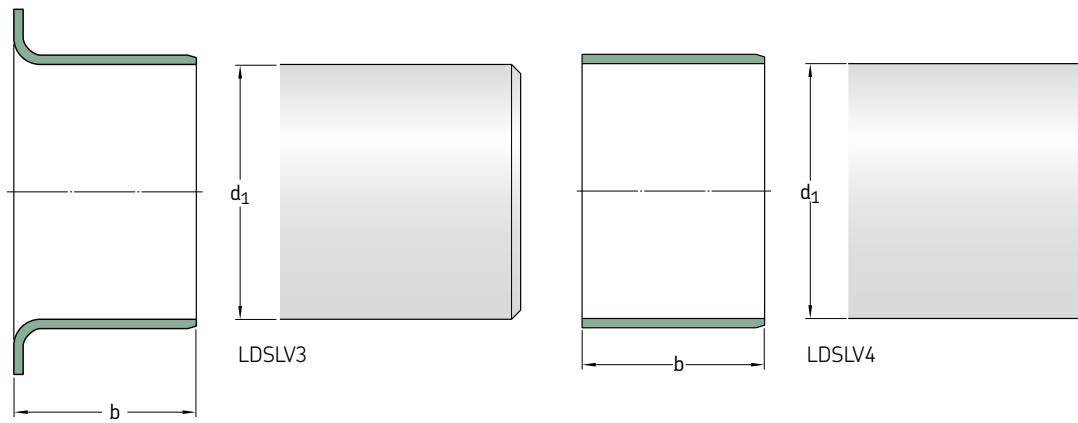


Shaft diameter	Sleeve width	Reference sleeve installed outside diameter	Design	Designation	Shaft diameter	Sleeve width	Reference sleeve installed outside diameter	Design	Designation
d ₁	b				d ₁	b			
in./mm	in./mm	in./mm	–	–	in./mm	in./mm	in./mm	–	–
8.313 211,15	1.250 31,75	8.501 215,93	LDSLV4	85885	9.125 231,78	1.000 25,40	9.313 236,55	LDSLV4	86547
8.353 212,17	1.500 38,10	8.541 216,94	LDSLV4	86907		1.500 38,10	9.313 236,55	LDSLV4	90130
8.500 215,90	1.000 25,40	8.688 220,68	LDSLV3	85158	9.250 234,95	0.875 22,23	9.438 239,73	LDSLV4	84643
8.625 219,08	2.750 69,85	8.813 223,85	LDSLV3	85643	9.260 235,20	1.102 27,99	9.448 239,98	LDSLV4	87789
8.661 220,00	1.000 25,40	8.849 224,76	LDSLV4	87319	9.313 236,55	1.500 38,10	9.501 241,33	LDSLV3	85377
8.687 220,65	2.250 57,15	8.875 225,43	LDSLV3	86543	9.449 240,00	1.181 30,00	9.637 244,78	LDSLV4	87144
8.750 222,25	1.500 38,10	8.938 227,03	LDSLV3	87196	9.500 241,30	2.500 63,50	9.688 246,08	LDSLV4	86562
8.812 223,82	2.000 50,80	9.000 228,60	LDSLV4	86551		1.000 25,40	9.688 246,08	LDSLV3	86633
8.813 223,85	1.000 25,40	9.001 228,63	LDSLV3	85688	9.563 242,90	2.000 50,80	9.751 247,68	LDSLV4	85073
8.866 225,20	2.500 63,50	9.054 229,97	LDSLV4	87166		2.000 50,80	9.751 247,68	LDSLV4	85397
8.867 225,22	1.000 25,40	9.055 230,00	LDSLV4	87462	9.750 247,65	1.438 36,53	9.938 252,43	LDSLV4	84965
8.875 225,43	1.250 31,75	9.063 230,20	LDSLV3	85973		2.250 57,15	9.938 252,43	LDSLV4	85045
	1.250 31,75	9.063 230,20	LDSLV4	87526	9.813 249,25	1.125 28,58	10.001 254,03	LDSLV4	86413
8.938 227,03	2.500 63,50	9.126 231,80	LDSLV4	86546		2.000 50,80	10.001 254,03	LDSLV3	84156
9.000 228,60	1.000 25,40	9.188 233,38	LDSLV3	87555	9.835 249,81	1.575 40,01	10.023 254,58	LDSLV4	90773
9.055 230,00	1.000 25,40	9.243 234,77	LDSLV3	89943	10.000 254,00	1.000 25,40	10.188 258,78	LDSLV3	90070
9.063 230,20	1.500 38,10	9.251 234,98	LDSLV4	85931	10.063 255,60	2.250 57,15	10.251 260,38	LDSLV4	86000
					10.188 258,78	1.125 28,58	10.376 263,55	LDSLV4	84962

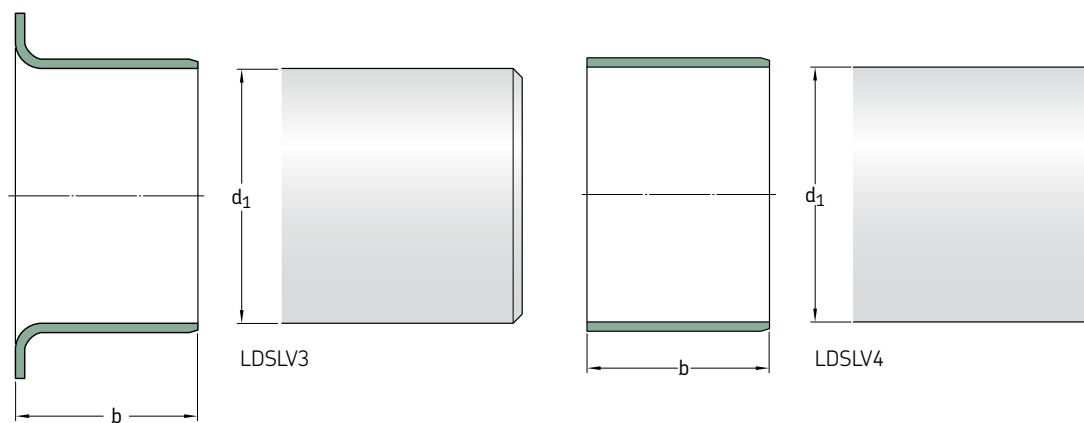


Shaft diameter	Sleeve width	Reference sleeve installed outside diameter	Design	Designation	Shaft diameter	Sleeve width	Reference sleeve installed outside diameter	Design	Designation
d_1	b				d_1	b			
in./mm	in./mm	in./mm	-	-	in./mm	in./mm	in./mm	-	-
10.240 260,00	1.970 50,00	10.424 264,77	LDSLV3	87738	11.031 280,19	1.260 32,00	11.219 284,96	LDSLV4	87525
10.313 261,95	2.000 50,80	10.501 266,73	LDSLV4	85629	11.062 280,97	1.750 44,45	11.250 285,75	LDSLV4	85469
	2.250 57,15	10.501 266,73	LDSLV3	85191	11.187 284,15	1.250 31,75	11.375 288,93	LDSLV4	86269
10.441 265,20	2.165 54,99	10.629 269,98	LDSLV4	86798	11.188 284,18	2.250 57,15	11.376 288,95	LDSLV4	85212
10.500 266,70	2.750 69,85	10.688 271,48	LDSLV4	86013	11.190 284,23	2.250 57,15	11.378 289,00	LDSLV4	87566
10.557 268,15	2.250 57,15	10.745 272,92	LDSLV4	85491	11.313 287,35	1.500 38,10	11.501 292,13	LDSLV4	84094
10.562 268,27	0.984 24,99	10.750 273,05	LDSLV4	90800	11.375 288,93	2.250 57,15	11.563 293,70	LDSLV4	86145
	1.750 44,45	10.750 273,05	LDSLV4	86468	11.417 290,00	1.750 44,45	11.605 294,77	LDSLV4	86441
	1.813 46,05	10.750 273,05	LDSLV4	86544	11.500 292,10	0.750 19,05	11.688 296,88	LDSLV4	90761
10.563 268,30	1.500 38,10	10.751 273,08	LDSLV4	87768	11.562 293,67	1.000 25,40	11.750 298,45	LDSLV4	90333
10.750 273,05	2.500 63,50	10.938 277,83	LDSLV4	86435	11.623 295,22	1.417 35,99	11.811 300,00	LDSLV3	87875
10.813 274,65	1.000 25,40	11.001 279,43	LDSLV3	81389	11.750 298,45	2.375 60,33	11.938 303,23	LDSLV3	87872
	2.000 50,80	11.001 279,43	LDSLV4	85033	11.812 300,02	1.125 28,58	12.000 304,80	LDSLV4	86687
10.846 275,49	0.709 18,01	11.034 280,26	LDSLV4	86601	11.813 300,05	1.500 38,10	12.001 304,83	LDSLV4	85979
10.875 276,23	2.000 50,80	11.063 281,00	LDSLV4	84510		2.250 57,15	12.001 304,83	LDSLV3	84819
11.000 279,40	1.500 38,10	11.188 284,18	LDSLV4	86486		2.750 69,85	12.001 304,83	LDSLV4	85844
	2.500 63,50	11.188 284,18	LDSLV4	86454	11.024 280,00	1.181 30,00	11.212 284,78	LDSLV4	87142
					11.969 304,00	0.709 18,00	12.157 308,79	LDSLV4	86600

Wear sleeves for heavy industrial applications – LDSLV3 and LDSLV4 – inch dimensions
 d_1 12.000 – 20.813 in.

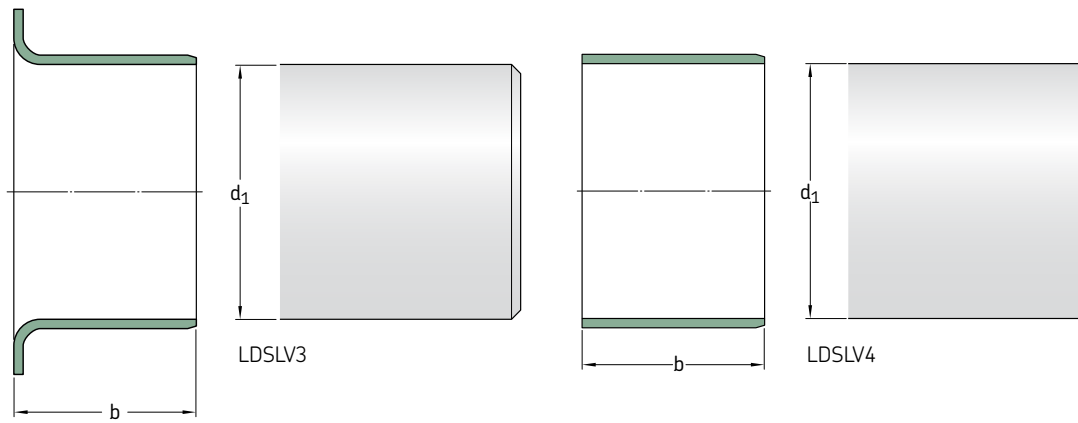


Shaft diameter	Sleeve width	Reference sleeve installed outside diameter	Design	Designation	Shaft diameter	Sleeve width	Reference sleeve installed outside diameter	Design	Designation
d_1	b				d_1	b			
in./mm	in./mm	in./mm	–	–	in./mm	in./mm	in./mm	–	–
12.000 304,80	2.250 57,15	12.188 309,58	LDSLV4	85577	13.813 350,85	1.500 38,10	14.001 355,63	LDSLV3	81390
	2.250 57,15	12.188 309,58	LDSLV3	87406		2.000 50,80	14.001 355,63	LDSLV4	85179
12.063 306,40	0.625 15,88	12.251 311,18	LDSLV4	85418	14.000 355,60	1.375 34,93	14.188 360,38	LDSLV3	89951
	2.500 63,50	12.251 311,18	LDSLV3	86404		1.500 38,10	14.188 360,38	LDSLV3	81352
12.312 312,72	1.500 38,10	12.500 317,50	LDSLV4	90174	14.173 359,99	1.000 25,40	14.361 364,77	LDSLV4	87445
12.313 312,75	0.750 19,05	12.501 317,53	LDSLV4	83760	14.313 363,55	1.500 38,10	14.501 368,33	LDSLV4	86429
12.500 317,50	2.125 53,98	12.688 322,28	LDSLV3	86169	14.438 366,73	2.500 63,50	14.626 371,50	LDSLV3	86403
12.598 320,00	0.984 25,00	12.786 324,76	LDSLV3	87434	14.500 368,30	1.000 25,40	14.688 373,08	LDSLV4	85914
12.750 323,85	0.688 17,48	12.938 328,63	LDSLV4	87513	14.813 376,25	1.500 38,10	15.001 381,03	LDSLV4	87723
	1.125 28,58	12.938 328,63	LDSLV3	82099		2.125 53,98	15.001 381,03	LDSLV3	81391
	1.500 38,10	12.938 328,63	LDSLV3	90143	15.000 381,00	1.000 25,40	15.188 385,78	LDSLV4	87247
12.813 325,45	1.000 25,40	13.001 330,23	LDSLV4	86258	15.062 382,57	0.750 19,05	15.250 387,35	LDSLV4	90272
	1.375 34,93	13.001 330,23	LDSLV4	84263		2.000 50,80	15.254 387,45	LDSLV3	87871
	2.000 50,80	13.001 330,23	LDSLV3	84390	15.066 382,68	1.000 25,40	15.376 390,55	LDSLV4	87569
	2.500 63,50	13.001 330,23	LDSLV4	86722	15.188 385,78	2.500 63,50	15.438 392,13	LDSLV3	84964
13.000 330,20	1.750 44,45	13.188 334,98	LDSLV4	85535	15.250 387,35	0.750 19,05	15.748 400,00	LDSLV4	85582
13.063 331,80	1.125 28,58	13.251 336,53	LDSLV4	84963	15.560 395,22	0.906 23,01	16.000 406,40	LDSLV3	87634
13.313 338,15	0.813 20,65	13.501 342,93	LDSLV4	86688	15.812 401,62	2.500 63,50			
	1.500 38,10	13.501 342,93	LDSLV4	87463					
	2.000 50,80	13.501 342,93	LDSLV3	85852					

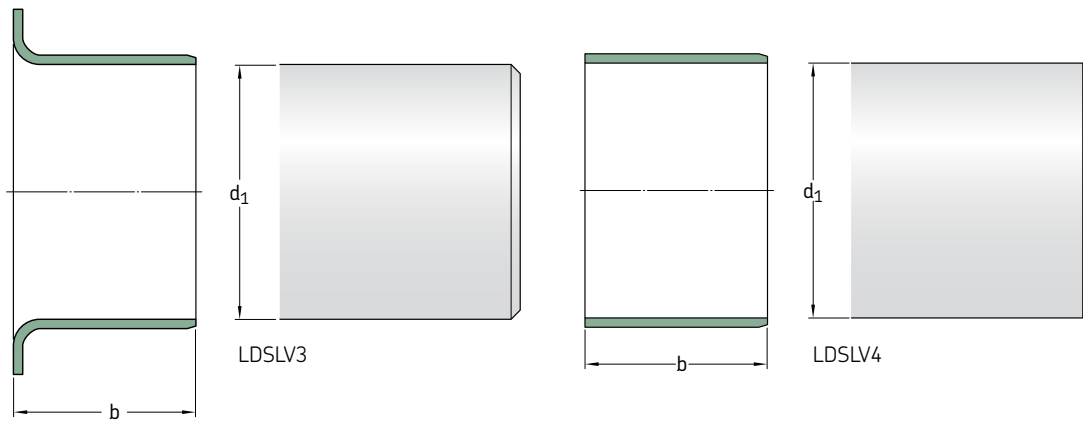


Shaft diameter	Sleeve width	Reference sleeve installed outside diameter	Design	Designation	Shaft diameter	Sleeve width	Reference sleeve installed outside diameter	Design	Designation
d_1	b				d_1	b			
in./mm	in./mm	in./mm	-	-	in./mm	in./mm	in./mm	-	-
15.813 401,65	2.000 50,80	16.001 406,43	LDSL4	85181	17.750 450,85	1.250 31,75	17.938 455,63	LDSL4	90774
	2.000 50,80	16.001 406,43	LDSL3	87446		2.500 63,50	17.938 455,63	LDSL3	86631
	2.500 63,50	16.001 406,43	LDSL4	86407	17.812 452,42	2.125 53,98	18.000 457,20	LDSL4	87271
15.998 406,35	2.250 57,15	16.186 411,12	LDSL3	85908	17.813 452,45	2.500 63,50	18.001 457,23	LDSL3	86405
16.000 406,40	2.000 50,80	16.188 411,18	LDSL3	81354	18.163 461,34	2.000 50,80	18.351 466,12	LDSL4	86343
16.063 408,00	0.500 12,70	16.251 412,78	LDSL4	87613	18.312 465,12	1.191 30,25	18.500 469,90	LDSL4	90790
	1.250 31,75	16.251 412,78	LDSL4	86175	18.813 477,85	1.750 44,45	19.001 482,63	LDSL4	86563
	1.300 33,02	16.251 412,78	LDSL4	86426		2.250 57,15	19.001 482,63	LDSL4	87015
	2.000 50,80	16.251 412,78	LDSL4	86575		2.500 63,50	19.001 482,63	LDSL4	86716
16.313 414,35	2.000 50,80	16.501 419,13	LDSL4	84697	19.496 495,20	2.362 59,99	19.684 499,97	LDSL4	87631
16.750 425,45	1.500 38,10	16.938 430,23	LDSL4	87585	19.497 495,22	1.575 40,01	19.685 500,00	LDSL4	87785
16.812 427,02	1.000 25,40	17.000 431,80	LDSL4	86737	19.500 495,30	1.250 31,75	19.688 500,08	LDSL4	90769
16.813 427,05	2.250 57,15	17.001 431,83	LDSL4	84616	19.563 496,90	2.750 69,85	19.751 501,68	LDSL4	85654
17.250 438,15	1.000 25,40	17.438 442,93	LDSL4	90779	19.813 503,25	1.250 31,75	20.001 508,03	LDSL4	84781
	2.000 50,80	17.438 442,93	LDSL4	84576	20.312 515,92	1.000 25,40	20.500 520,70	LDSL4	86739
17.313 439,75	1.500 38,10	17.501 444,53	LDSL4	86430	20.813 528,65	1.250 31,75	21.001 533,43	LDSL3	85800
17.449 443,20	2.000 50,80	17.637 447,98	LDSL4	85762		2.125 53,98	21.001 533,43	LDSL4	85367
17.500 444,50	1.250 31,75	17.688 449,28	LDSL4	90770		2.500 63,50	21.001 533,43	LDSL4	87298
17.543 445,59	2.362 59,99	17.731 450,37	LDSL4	86799					

Wear sleeves for heavy industrial applications – LDSLV3 and LDSLV4 – inch dimensions
 d_1 20.865 – 42.500 in.



Shaft diameter	Sleeve width	Reference sleeve installed outside diameter	Design	Designation	Shaft diameter	Sleeve width	Reference sleeve installed outside diameter	Design	Designation
d_1	b				d_1	b			
in./mm	in./mm	in./mm	–	–	in./mm	in./mm	in./mm	–	–
20.865 529,97	2.250 57,15	21.053 534,75	LDSLV4	90805	26.000 660,40	2.250 57,15	26.188 665,18	LDSLV3	86640
20.990 533,15	2.250 57,15	21.178 537,92	LDSLV3	84579	26.312 668,32	1.375 34,93	26.500 673,10	LDSLV4	90809
21.000 533,40	2.250 57,15	21.188 538,18	LDSLV4	87090	26.813 681,05	1.250 31,75	27.001 685,83	LDSLV4	85384
21.803 553,80	2.362 59,99	21.991 558,57	LDSLV4	87069		2.250 57,15	27.001 685,83	LDSLV4	85531
21.813 554,05	2.250 57,15	22.001 558,83	LDSLV4	84590	27.000 685,80	2.000 50,80	27.188 690,58	LDSLV4	86841
22.250 565,15	1.000 25,40	22.438 569,93	LDSLV3	85691	27.063 687,40	2.250 57,15	27.251 692,18	LDSLV4	84764
22.303 566,50	2.362 59,99	22.491 571,27	LDSLV4	87070	27.313 693,75	2.250 57,15	27.501 698,53	LDSLV4	91311
22.313 566,75	1.250 31,75	22.501 571,53	LDSLV4	85907	27.500 698,50	2.250 57,15	27.688 703,28	LDSLV4	84711
22.812 579,42	2.000 50,80	23.000 584,20	LDSLV4	90163	27.812 706,42	2.500 63,50	28.000 711,20	LDSLV4	87421
23.000 584,20	2.000 50,80	23.188 588,98	LDSLV4	90146	28.312 719,12	2.313 58,75	28.500 723,90	LDSLV3	87623
23.434 595,22	0.984 24,99	23.622 600,00	LDSLV4	87777	28.813 731,85	2.250 57,15	29.001 736,63	LDSLV4	84641
23.687 601,65	1.950 49,53	23.875 606,43	LDSLV4	87907	29.813 757,25	2.250 57,15	30.001 762,03	LDSLV4	84642
23.812 604,82	0.750 19,05	24.000 609,60	LDSLV4	87922	30.000 762,00	2.500 63,50	30.188 766,78	LDSLV3	86641
	2.500 63,50	24.000 609,60	LDSLV4	87960	30.309 769,85	1.375 34,93	30.497 774,62	LDSLV4	87530
25.000 635,00	2.500 63,50	25.188 639,78	LDSLV4	86567	30.312 769,92	2.500 63,50	30.500 774,70	LDSLV3	87842
25.312 642,92	2.000 50,80	25.500 647,70	LDSLV4	86091	30.813 782,65	2.000 50,80	31.001 787,43	LDSLV4	85039
25.313 642,95	2.500 63,50	25.501 647,73	LDSLV4	87802	31.812 808,02	2.500 63,50	32.000 812,80	LDSLV4	90810



Shaft diameter	Sleeve width	Reference sleeve installed outside diameter	Design	Designation	Shaft diameter	Sleeve width	Reference sleeve installed outside diameter	Design	Designation
d_1	b				d_1	b			
in./mm	in./mm	in./mm	-	-	in./mm	in./mm	in./mm	-	-
32.313 820,75	2.000 50,80	32.501 825,53	LDSLV4	86090	42.500 1079,50	1.250 31,75	42.688 1084,28	LDSLV4	87392
32.812 833,42	2.220 56,39	33.000 838,20	LDSLV4	87850					
33.313 846,15	2.625 66,68	33.501 850,93	LDSLV4	84730					
34.312 871,52	1.750 44,45	34.500 876,30	LDSLV4	87529					
35.313 896,95	2.500 63,50	35.501 901,73	LDSLV4	85814					
35.812 909,62	1.500 38,10	36.000 914,40	LDSLV4	90332					
36.375 923,93	2.500 63,50	36.563 928,70	LDSLV4	86111					
36.813 935,05	2.500 63,50	37.001 939,83	LDSLV4	86458					
37.813 960,45	1.500 38,10	38.001 965,23	LDSLV4	86973					
38.000 965,20	1.500 38,10	38.188 969,98	LDSLV4	86840					
38.500 977,90	1.500 38,10	38.688 982,68	LDSLV4	81753					
38.813 985,85	2.125 53,98	39.001 990,63	LDSLV4	85123					
39.813 1011,25	2.125 53,98	40.001 1016,03	LDSLV4	81826					
41.312 1049,32	1.968 49,99	41.500 1054,10	LDSLV4	89948					
42.063 1068,40	2.125 53,98	42.251 1073,18	LDSLV4	85038					
42.125 1069,98	2.125 53,98	42.313 1074,75	LDSLV4	87054					
42.312 1074,72	1.250 31,75	42.500 1079,50	LDSLV4	87379					

SKF – the knowledge engineering company

From one simple but inspired solution to a misalignment problem in a textile mill in Sweden, and fifteen employees in 1907, SKF has grown to become a global industrial knowledge leader. Over the



years we have built on our expertise in bearings, extending it to seals, mechatronics, services and lubrication systems. Our knowledge network includes 46 000 employees, 15 000 distributor partners, offices in more than 130 countries, and a growing number of SKF Solution Factory sites around the world.

Research and development

We have hands-on experience in over forty industries, based on our employees' knowledge of real life conditions. In addition our world-leading experts and university partners who pioneer advanced theoretical research and development in areas including tribology, condition monitoring, asset management and bearing life theory. Our ongoing commitment to research and development helps us keep our customers at the forefront of their industries.

Meeting the toughest challenges

Our network of knowledge and experience along with our understanding of how our core technologies can be combined helps us create innovative solutions that meet the toughest of challenges. We work closely with our customers throughout the asset life cycle, helping them to profitably and responsibly grow their businesses.

Working for a sustainable future

Since 2005, SKF has worked to reduce the negative environmental impact from our own operations and those of our suppliers. Our continuing technology development introduced the SKF BeyondZero portfolio of products and services which improve efficiency and reduce energy losses, as well as enable new technologies harnessing wind, solar and ocean power. This combined approach helps reduce the environmental impact both in our own operations and in our customers'.

SKF Solution Factory makes SKF knowledge and manufacturing expertise available locally, to provide unique solutions and services to our customers.

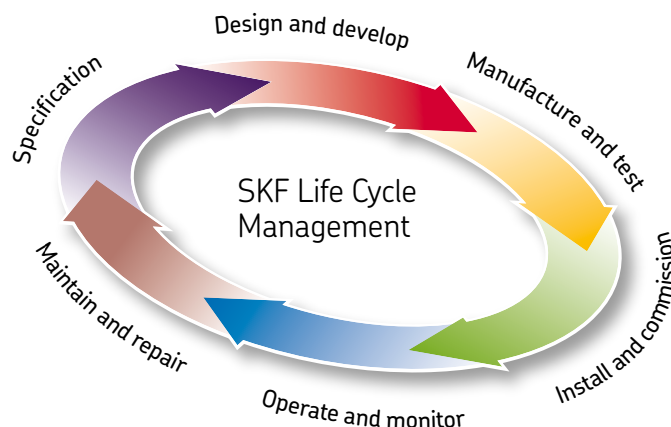


Working with SKF IT and logistics systems and application experts, SKF Authorized Distributors deliver a valuable mix of product and application knowledge to customers worldwide.



Our knowledge – your success

SKF Life Cycle Management is how we combine our technology platforms and advanced services, and apply them at each stage of the asset life cycle, to help our customers to be more successful, sustainable and profitable.



Working closely with you

Our objective is to help our customers improve productivity, minimize maintenance, achieve higher energy and resource efficiency, and optimize designs for long service life and reliability.

Innovative solutions

Whether the application is linear or rotary or a combination of the two, SKF engineers can work with you at each stage of the asset life cycle to improve machine performance by looking at the entire application. This approach doesn't just focus on individual components like bearings or seals. It looks at the whole application to see how each component interacts with the next.

Design optimization and verification

SKF can work with you to optimize current or new designs with proprietary 3-D modeling software that can also be used as a virtual test rig to confirm the integrity of the design.



Bearings

SKF is the world leader in the design, development and manufacture of high performance rolling bearings, plain bearings, bearing units and housings.



Machinery maintenance

Condition monitoring technologies and maintenance services from SKF can help minimize unplanned downtime, improve operational efficiency and reduce maintenance costs.



Sealing solutions

SKF offers standard seals and custom engineered sealing solutions to increase uptime, improve machine reliability, reduce friction and power losses, and extend lubricant life.



Mechatronics

SKF fly-by-wire systems for aircraft and drive-by-wire systems for off-road, agricultural and forklift applications replace heavy, grease or oil consuming mechanical and hydraulic systems.



Lubrication solutions

From specialized lubricants to state-of-the-art lubrication systems and lubrication management services, lubrication solutions from SKF can help to reduce lubrication related downtime and lubricant consumption.



Actuation and motion control

With a wide assortment of products – from actuators and ball screws to profile rail guides – SKF can work with you to solve your most pressing linear system challenges.

® SKF and SPEEDI-SLEEVE are registered trademarks of the SKF Group.

© SKF Group 2013

The contents of this publication are the copyright of the publisher and may not be reproduced (even extracts) unless prior written permission is granted. Every care has been taken to ensure the accuracy of the information contained in this publication but no liability can be accepted for any loss or damage whether direct, indirect or consequential arising out of the use of the information contained herein.

The data in this publication may differ from that shown in earlier publications because of redesign, technological developments or revised methods of calculation. SKF reserves the right to make continuing improvements to SKF products without prior notice with respect to materials, design and manufacturing methods, as well as changes necessitated by technological developments.

PUB SE/P1 11337/2 EN · February 2013

Certain image(s) used under license from Shutterstock.com

